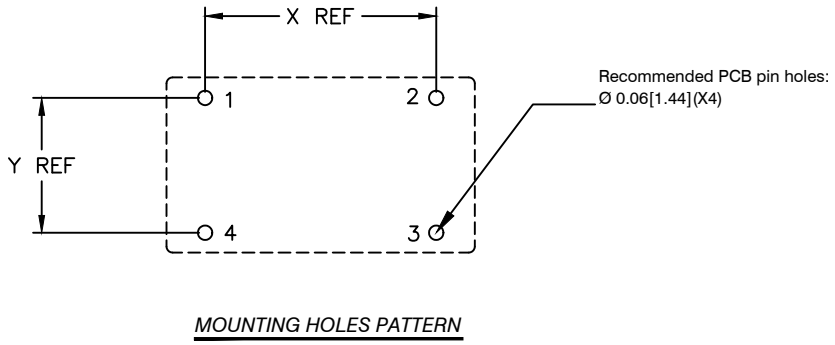
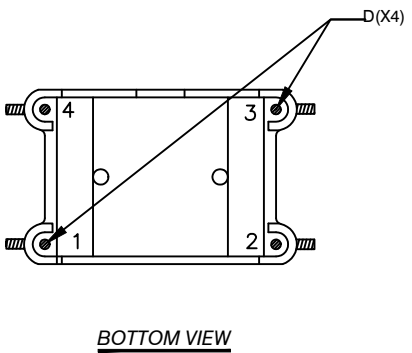
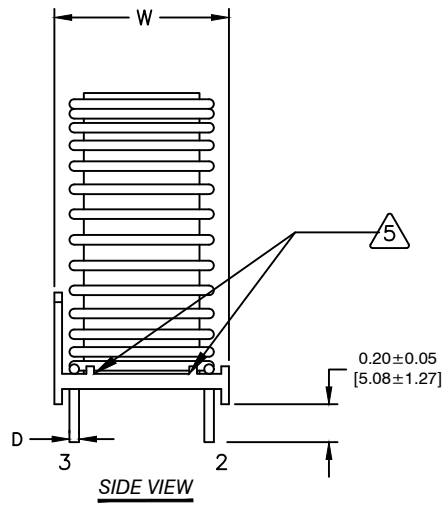
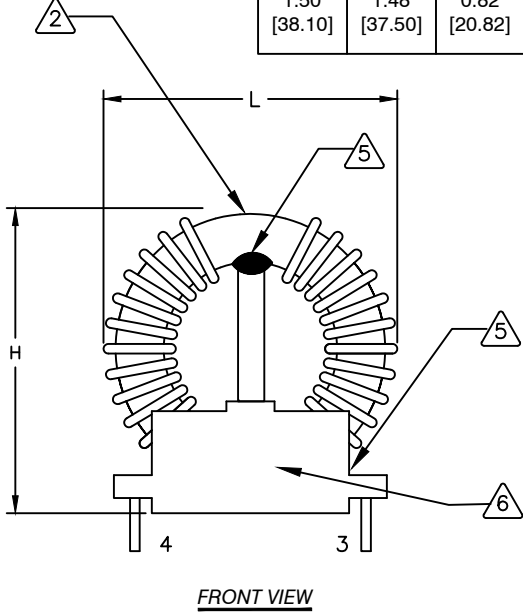
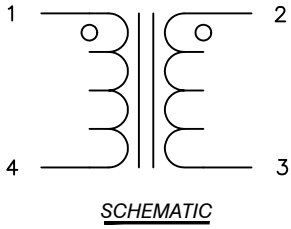


The information contained in this drawing is the sole property of CWS Coil Winding Specialist. Any reproduction in part or whole without written permission of CWS Coil Winding Specialist is prohibited.

MECHANICAL DIMENSION					
H MAX	L TYP	W MAX	D (LEAD) (X4)	X REF	Y REF
1.50 [38.10]	1.48 [37.50]	0.82 [20.82]	0.05 [1.21]	0.90 [22.94]	0.60 [15.30]

REVISION HISTORY						
REV	ECN	DESCRIPTION	SIGN & DATE			
			BY	DATE	CHK	DATE
A		INITIAL DRAWING RELEASE	TN	08/11/21	JL	08/11/21



7 BUILT TO RoHS COMPLIANCE AND LEAD FREE

6 MARK CUSTOMER PART NUMBER, REVISION AND DATE CODE

5 ADD EPOXY WHERE SHOWN

WRAP LEAD WIRES AROUND PINS AND SOLDER STRIP AND TIN LEAD WIRES
WIND COIL EVENLY SPACED
CONSTRUCTION:

WEIGHT: 53 GRAMS TYPICAL
OPERATING TEMP. RANGE: -40°C TO 125°C
HI-POT WINDING-TO-WINDING 1250 VAC, 10 SEC
TEMPERATURE RISE @ IDC LESS THAN 35°C WITH SOME AIRFLOW
INTERWINDING CAPACITANCE = 51 pF TYP @ SRF
LEAKAGE INDUCTANCE = 81uH TYP @ 10KHz
|Z| = 4kΩ TYP @ SRF
SRF = 5.5 MHz TYPICAL
RATED CURRENT = 15 AMPS RMS MAX
DCR = 67 MILLI-OHMS MAX
INDUCTANCE = 100mH MIN. @ 1KHz, 250mVrms, 0ADC
3 SPECIFICATIONS @ 25°C:

2 WIRE: UL RECOGNIZED 200°C RATED MAGNET WIRE
CORE: NANOCRYSTALLINE OR AMORPHOUS CORE

RATING UL-CLASS B (130°) REQUIRED
1 MATERIAL: UL RECOGNIZED 94V-0 FLAMMABILITY FOR BOBBIN

ANY TOLERANCE. THIS DIM. CAN VARY A LITTLE FROM PART TO PART.
"TYP" IN DIM. TOL. TABLE REFERS TO A NON-CRITICAL TYPICAL (AVERAGE) DIM. WITHOUT

NOTES: UNLESS OTHERWISE SPECIFIED, READ NOTES FROM BOTTOM UP.
CAGE CODE: 5DME2

CODE IDENT	MFG. P/N	DESCRIPTION	ITEM NO.
PARTS LIST			
AUTOCAD SOLIDWORKS	X		
SIGN	DATE	CWS Coil Winding Specialist.	
DRWN TN	08/11/21	353 W Grove Ave Orange, CA 92865	
DESD JM	08/11/21	www.coilws.com	
ENGR JL	08/11/21	TITLE: Toroidal Inductor 100mH, 15Amps	
APPR JL	08/11/21	SIZE B	REV A
DO NOT SCALE DRAWING		SCALE 2=1	SHEET 1 OF 1

UNLESS OTHERWISE SPECIFIED
DIMENSIONING AND TOLERANCE PER ANSI Y14.5M
ALL DIMENSIONS ARE IN INCHES AND [MILLIMETERS]
TOLERANCE INCHES: XXX±0.005 .XX±0.015 <±0.030
TOLERANCE METRICS: XXX±0.127 .XX±0.36 <±0.0730
ANGLE PROJECTION