

The information contained in this drawing is the sole property of Coil Winding Specialist Inc. (CWS)
Any reproduction in part or whole without written permission of CWS is prohibited.

DIMENSIONAL TOLERANCE INCHES [MM]							
A(OD) Max	B(HGT) Max	D1(LEAD) Min	D(LEAD) Min	E TYP	F (Lead Dia) TYP	G TYP	H Min
2.75 [69.85]	1.00 [25.40]	0.50 [12.70]	0.75 [19.05]	2.66 [67.66]	0.14 [3.66]	0.60 [15.23]	0.30 [7.61]

REVISION HISTORY						
REV	ECN	DESCRIPTION	SIGN & DATE			
			BY	DATE	CHK	DATE
01		INITIAL DRAWING RELEASE	TN	08/11/21	JL	08/11/21

9 BUILT TO RoHS COMPLIANCE

8 LABEL PART NUMBER AT THE BOTTOM OF THE BASE.

7 BOTTOM BASE CENTER HOLE DIAMETER

6 0.5 INCH FROM BOTTOM OF BASE.
TRIM INNER LEADS TO 0.75 AND OUTER LEADS TO

5 APPLY EPOXY BETWEEN COIL AND BASE

4 STRIP AND TIN LEADS (NO INSULATION IS ALLOWED BELOW THE BASE LEVEL.)

WEIGHT = ~350 GRAMS
 OPERATING TEMP RANGE = -40 °C TO 125°C
 MAX TEMP RISE = 40 °C
 INTERWINDING ISOLATION = 2000 VOLTS RMS.
 DCR ON EACH WINDING = 2.05mΩ NOM.
 SRF = 3.8 MHz TYP
 RATED VOLTAGE = 1000 VAC OR VDC
 RATED CURRENT = 40 AMPS
 LEAKAGE INDUCTANCE = 2 μH TYP @ 10 KHz, 0.25 Vrms.
 INTERWINDING CAPACITANCE = 7pF TYP @ SRF
 IMPEDANCE = 1.6 KILO-OHMS TYP @ SRF
 INDUCTANCE = 3.15 mH NOM @ 1 KHz, 250mVrms, 0 ADC

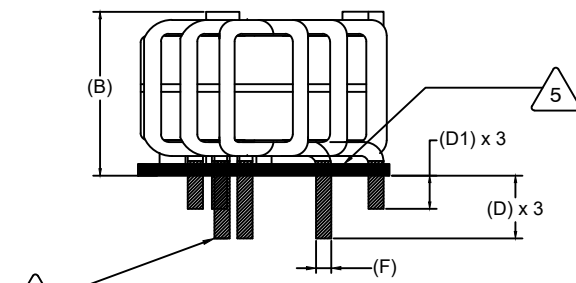
3 SPECIFICATIONS AT 25°C:

WIRE: UL RECOGNIZED 200°C RATED MAGNET WIRE
 CWS BYTEMARK OR OTHER APPROVED PART
 2 CORE: NANOCRYSTALLINE OR AMORPHOUS CORE

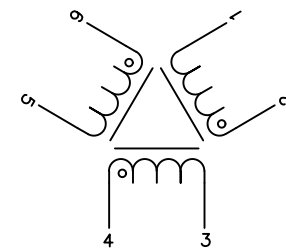
1 CASE RATING CLASS B (130°C) REQUIRED
 MATERIAL: UL RECOGNIZED FOR FLAMMABILITY

ANY TOLERANCE. THIS DIM. CAN VARY A LITTLE FROM PART TO PART.
 "TYP" IN DIM. TOL. TABLE REFERS TO A NON-CRITICAL TYPICAL (AVERAGE) DIM. WITHOUT

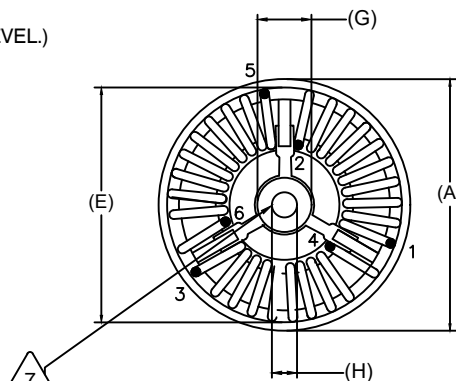
NOTES: UNLESS OTHERWISE SPECIFIED. READ NOTES FROM BOTTOM TO TOP.
 CAGE CODE: 5DME2



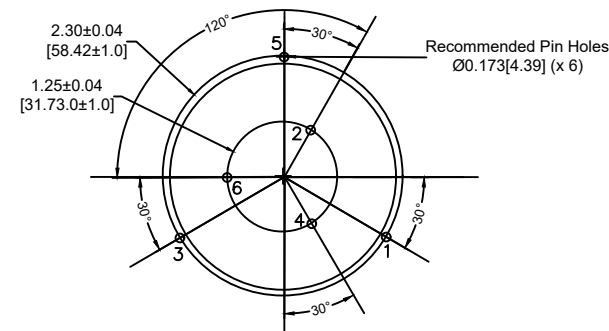
FRONT VIEW



SCHEMATIC



TOP VIEW



MOUNTING HOLES PATTERN

UNLESS OTHERWISE SPECIFIED		AUTOCAD	X	www.coilws.com	Coil Winding Specialist Inc. 353 West Grove Ave Orange, California. 92865		
DIMENSIONING AND TOLERANCE PER ANSI Y14.5M ALL DIMENSIONS ARE IN INCHES AND [MILLIMETERS]. TOLERANCE INCHES: .XXX±.005 .XX±.015 ∠=±0°30' TOLERANCE METRICS: .XXX±.127 .XX±.38 ∠=±0°30'		SOLIDWORKS					
DRAWN	TN	08/11/21		TITLE: Nanocrystalline Inductor Three-Phase Common Mode Choke Horizontal Mount	SIZE DWG. NO. CWS-CMN-12556		
CHECKED	JM	08/11/21				REV 01	
ENGR.	JL	08/11/21				SCALE N/A	SHEET 1 OF 1
APPR.	JL	08/11/21					
ANGLE PROJECTION		DO NOT SCALE DRAWING					