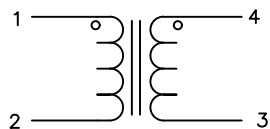


The information contained in this drawing is the sole property of Coil Winding Specialist Inc. Any reproduction in part or whole without written permission of CWS is prohibited.

DIMENSIONAL TOLERANCE INCHES [MM]					
A(OD) MAX	B(HGHT) Max	C(LEAD) MIN	D(LEAD DIM) TYP	P1 REF	P2 REF
1.34 [34.0]	0.78 [19.9]	0.50 [12.7]	0.06x0.12 [1.6x3.2]	0.59 [15.00]	1.10 [27.94]

REVISION HISTORY						
REV	ECN	DESCRIPTION	SIGN & DATE			
			BY	DATE	CHK	DATE
A		INITIAL DRAWING RELEASE	TN	08/2/21	JL	08/2/21



SCHEMATIC

6 BUILT TO RoHS COMPLIANCE

5 SPACER HAS TO BE IN PLACE AND SHOULD NOT MOVE

4 TIN LEADS APPROX. 0.5 INCH AND FLUSH WITH THE COIL EDGE.

WEIGHT = 40 GRAMS
 OPERATING TEMP RANGE = -25 °C TO 120 °C
 MAX TEMP RISE = 40 °C
 INTERWINDING ISOLATION = 2000 VOLTS RMS, 3mA, 2 sec.
 IMPEDANCE = 848 Ω TYP @ SRF
 INTERWINDING CAPACITANCE = 5.3pF TYP @ SRF
 SRF = 7.5 MHz TYP
 RATED VOLTAGE = 250 VAC OR VDC
 RATED CURRENT = 40 AMPS
 LEAKAGE INDUCTANCE = 1.0 uH TYP @ 10 KHz, 1 Vrms.
 DCR ON EACH WINDING = 1.5 mΩ MAX
 L = 1.5 mH MIN. @ 1 KHz, 1 Vrms, 0 ADC
 INSULATION RESISTANCE = 100 MEGA-OHMS MIN. @ 500 VDC
 3 SPECIFICATIONS AT 25°C:

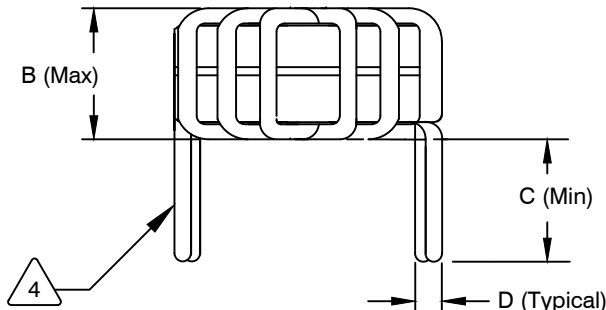
2 WIRE: UL CLASS 200°C
 CORE: NANOCRYSTALLINE OR AMORPHOUS CORE

BOBBIN/CASE = UL CLASS B (130°)
 1 MATERIAL: UL RECOGNIZED

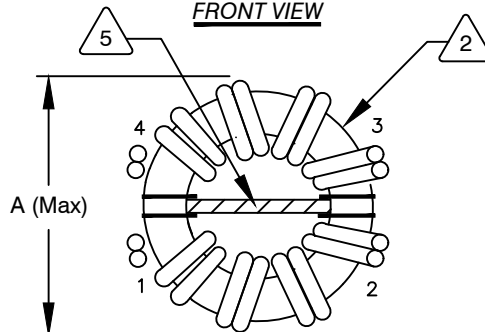
ANY TOLERANCE. THIS DIM. CAN VARY A LITTLE FROM PART TO PART.

"TYP" IN DIM. TOL. TABLE REFERS TO A NON-CRITICAL TYPICAL (AVERAGE) DIM. WITHOUT

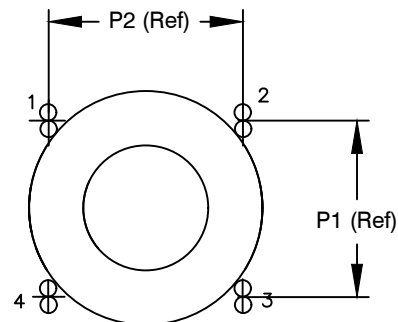
NOTES: UNLESS OTHERWISE SPECIFIED. READ NOTES FROM BOTTOM TO TOP.



FRONT VIEW



BOTTOM VIEW



MOUNTING HOLES PATTERN

QTY	CODE IDENT	MFG. P/N	DESCRIPTION	ITEM NO.
PARTS LIST				
AUTOCAD		X		
SOLIDWORKS				
SIGN	DATE	www.coilws.com Coil Winding Specialist Inc. sales@coilws.com 353 West Grove Ave Orange, California. 92865		
DRAWN	TN	08/12/21	TITLE: Nanocrystalline Inductor Common Mode Chokes Horizontal Mount CAGE# 5DME2	
CHECKED	JM	08/12/21		
ENGR.	JL	08/12/21		
APPR.	JL	08/12/21		
SIZE	DWG. NO.	CWS-CMN-12597		REV
B				A
SCALE			NOT TO SCALE	SHEET 1 OF 1

UNLESS OTHERWISE SPECIFIED
 DIMENSIONING AND TOLERANCE PER ANSI Y14.5M
 ALL DIMENSIONS ARE IN INCHES AND [MILLIMETERS].
 TOLERANCE INCHES:
 .XXX=±.005 .XX=±.015 $\angle = \pm 0^{\circ}30'$
 TOLERANCE METRICS:
 .XXX=±.127 .XX=±.38 $\angle = \pm 0^{\circ}30'$
 ANGLE PROJECTION
 DO NOT SCALE DRAWING