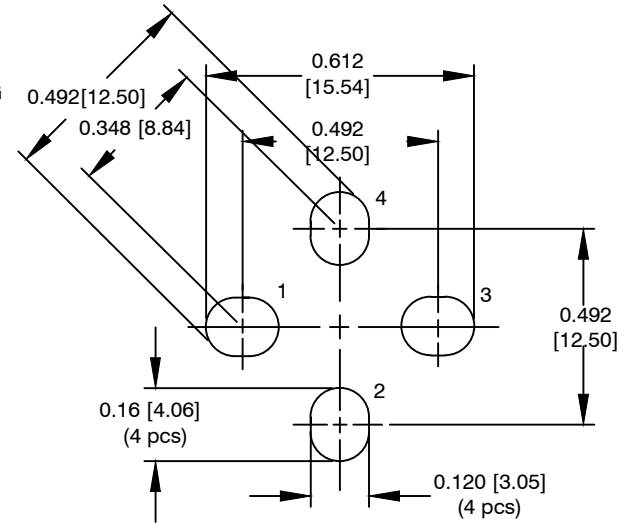
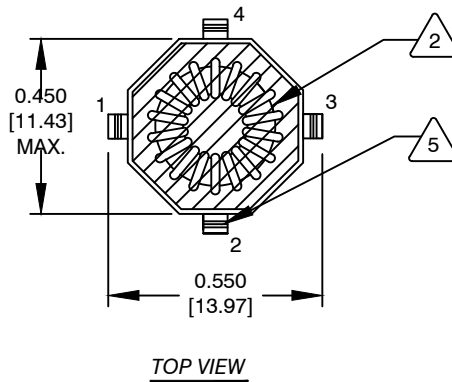
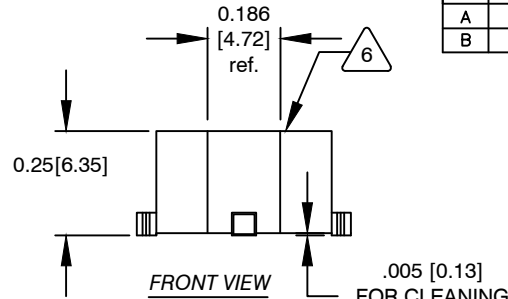
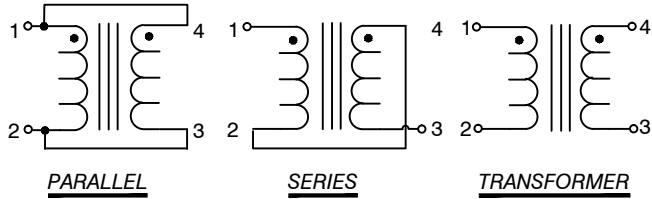


The information contained in this drawing is the sole property of CWS Coil Winding Specialist.
Any reproduction in part or whole without written permission of CWS Coil Winding Specialist is prohibited.



REVISION HISTORY

| REV | ECN | DESCRIPTION | SIGN & DATE | | | |
|-----|-----|---------------------------|-------------|---------|------|---------|
| | | | BY | DATE | CHK | DATE |
| A | | PRODUCTION RELEASE | RPR | 4/26/05 | JLAU | 4/26/05 |
| B | | FOOTPRINT AND NOTE UPDATE | RJL | 4/30/11 | JLAU | 4/30/11 |

6 AND REVISION WHERE SHOWN
IF APPLICABLE MARK PART NUMBER

5 REMOVE INSULATION AND TIN LEADS
WIND ON TO CORE AND EVENLY SPACED

4 CONSTRUCTION:

TO INSURE INTERGRITY OF WINDING SEPARATION
HI-POT TEST FOR WINDING TO WINDING = 300 VDC MIN.
SERIES DCR= 2.259 OHMS MAX.
SERIES FULL LOAD CURRENT = 0.36 AMPS. DC.
SERIES FULL LOAD INDUCTANCE = 278.15 uH MIN.
SERIES OPEN CIRCUIT INDUCTANCE = 396.38 uH @ ± 20 %
PARALLEL DCR= 0.565 OHMS MAX.
PARALLEL FULL LOAD CURRENT = 0.72 AMPS. DC.
PARALLEL FULL LOAD INDUCTANCE = 69.54 uH MIN.
PARALLEL OPEN CIRCUIT INDUCTANCE = 99.09 uH @ ± 20 %

3 SPECIFICATIONS:

WIRE: UL RECOGNIZED 130°C RATING MAGNET WIRE
CWS BYTE MARK OR OTHER APPROVED PART
CORE: TOROID

BOBBIN RATING CLASS B (130°C) REQUIRED
MATERIAL: UL RECOGNIZED 94V-0 FOR FLAMMABILITY

NOTES: UNLESS OTHERWISE SPECIFIED. READ FROM BOTTOM UP.

UNLESS OTHERWISE SPECIFIED
DIMENSIONING AND TOLERANCE PER ANSI Y14.5M
ALL DIMENSIONS ARE IN INCHES AND [MILLIMETERS].
TOLERANCE INCHES:
.XXX=±.010 .XX=±.015 $\angle=±0°30'$
TOLERANCE METRICS:
.XXX=±.254 .XX=±.38 $\angle=±0°30'$
ANGLE PROJECTION
DO NOT SCALE DRAWING

| QTY | CODE IDENT | MFG. P/N | DESCRIPTION | ITEM NO. |
|---|--------------|------------------------------------|--------------|--|
| PARTS LIST | | | | |
| AUTOCAD | | X | | |
| SOLIDWORKS | | | | |
| SIGN | RPR | DATE | 4/26/05 | |
| CHECKED | JLAU | DATE | 4/26/05 | |
| ENGR. | KSUM | DATE | 4/26/05 | |
| APPR. | JLAU | DATE | 04/28/11 | |
| | | sales@coilws.com www.coilws.com | | Coil Winding Specialist, Inc. 353 W. Grove Avenue Orange, CA 92865 |
| TITLE: Parallel Series Inductor | | | | |
| SIZE | DWG. NO. | CX100-4-IP | | REV B |
| SCALE | NOT_TO_SCALE | | SHEET 1 OF 1 | |