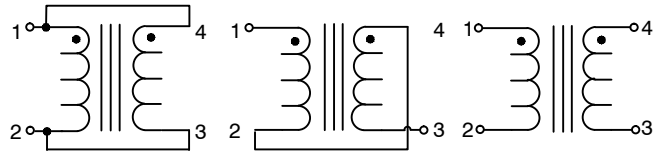


The information contained in this drawing is the sole property of CWS Coil Winding Specialist.
Any reproduction in part or whole without written permission of CWS Coil Winding Specialist is prohibited.



PARALLEL SERIES TRANSFORMER

- 6 AND REVISION WHERE SHOWN IF APPLICABLE MARK PART NUMBER
- 5 REMOVE INSULATION AND TIN LEADS
- 4 WIND ON TO CORE AND EVENLY SPACED CONSTRUCTION:

TO INSURE INTERGRITY OF WINDING SEPARATION
HI-POT TEST FOR WINDING TO WINDING = 300 VDC MIN.
MAX DCR IS ± 15% OF TYPICAL VALUE.
SERIES DCR= 1.462 OHMS TYP @ 20 °C
SERIES RMS CURRENT = 0.55 AMPS.
PARALLEL: (1,4 - 3,2), SERIES: (1 - 3) TIE (2 - 4).
@ 100 KHZ, 0.250 VRMS, 0.0 ADC,
SERIES OPEN CIRCUIT INDUCTANCE = 613.9 uH ± 25 %,

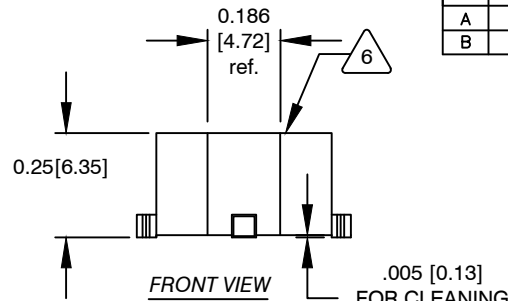
MAX DCR IS ± 15% OF TYPICAL VALUE
PARALLEL DCR= 0.365 OHMS TYP @ 20 °C,
DELTA TEMP 40 °C, AMBIENT TEMP 85 °C.
PARALLEL RMS CURRENT = 1.10 AMPS @
PARALLEL (1,4 - 3,2), SERIES (1 - 3) TIE (2 - 4).
@ 100 KHZ, 0.250 VRMS, 0.0 ADC,
PARALLEL OPEN CIRCUIT INDUCTANCE = 153.5 uH ± 25 %,
PARALLEL RATED INDUCTANCE = 150.0 uH

- 3 SPECIFICATIONS:

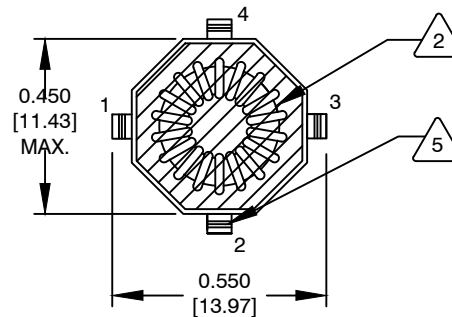
WIRE: UL RECOGNIZED 130°C RATING MAGNET WIRE
CWS BYTEMARK OR OTHER APPROVED PART
CORE: TOROID

- 2 BOBBIN RATING CLASS B (130°C) REQUIRED
- 1 MATERIAL: UL RECOGNIZED 94V-0 FOR FLAMMABILITY

NOTES: UNLESS OTHERWISE SPECIFIED. READ FROM BOTTOM UP.

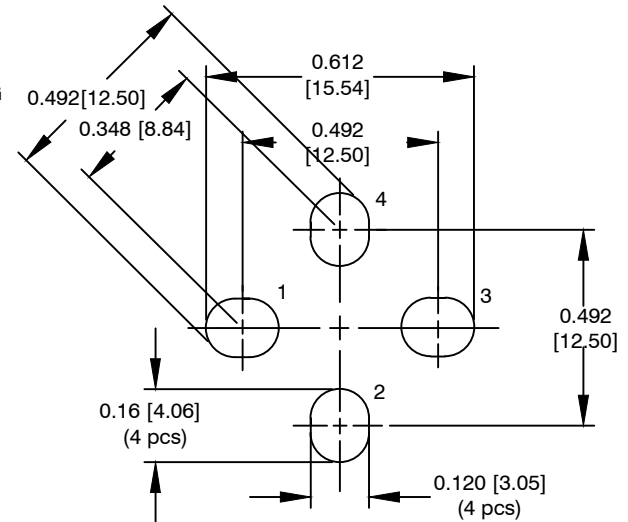


FRONT VIEW



TOP VIEW

REVISION HISTORY						
REV	ECN	DESCRIPTION	SIGN & DATE			
			BY	DATE	CHK	DATE
A		PRODUCTION RELEASE	RPR	4/26/05	JLAU	4/26/05
B		FOOTPRINT AND NOTE UPDATE	RJL	4/30/11	JLAU	4/30/11



MOUNTING HOLES PATTERN

UNLESS OTHERWISE SPECIFIED
DIMENSIONING AND TOLERANCE PER ANSI Y14.5M
ALL DIMENSIONS ARE IN INCHES AND [MILLIMETERS].
TOLERANCE INCHES:
.XXX=±.010 .XX=±.015 \angle=±0°30'
TOLERANCE METRICS:
.XXX=±.254 .XX=±.38 \angle=±0°30'
ANGLE PROJECTION
DO NOT SCALE DRAWING

QTY	CODE IDENT	MFG. P/N	DESCRIPTION	ITEM NO.
PARTS LIST				
AUTOCAD		X		
SOLIDWORKS				
SIGN	RPR	DATE	4/26/05	
DRAWN	JLAU	DATE	4/26/05	
CHECKED	JLAU	DATE	4/26/05	
ENGR.	KSUM	DATE	4/26/05	
APPR.	JLAU	DATE	04/28/11	
		sales@coilws.com www.coilws.com		Coil Winding Specialist, Inc. 353 W. Grove Avenue Orange, CA 92865
TITLE: Parallel Series Inductor				
SIZE	DWG. NO.	CX150-4-SD		REV B
SCALE	NOT_TO_SCALE			SHEET 1 OF 1