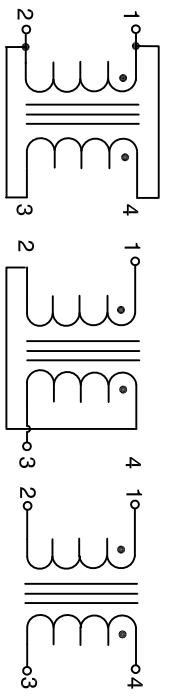


The information contained in this drawing is the sole property of CMS Coil Winding Specialist. Any reproduction in part or whole without written permission of CMS Coil Winding Specialist is prohibited.



- 6 AND REVISION WHERE SHOWN IF APPLICABLE MARK PART NUMBER
- 5 REMOVE INSULATION AND TIN LEADS
- 4 WIND ON TO CORE AND EVENLY SPACED CONSTRUCTION:

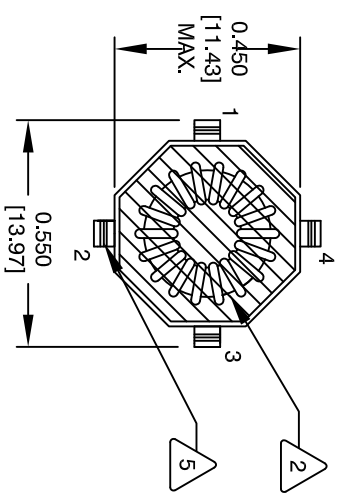
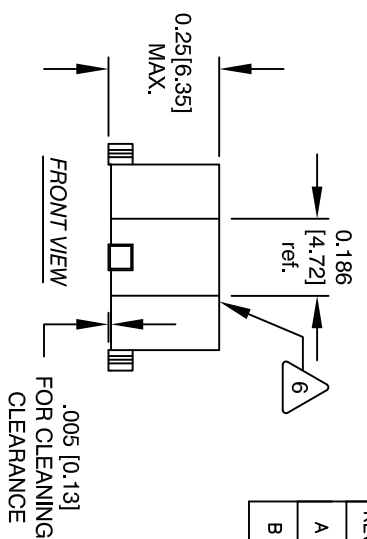
TO INSURE INTERGRITY OF WINDING SEPARATION HI-POT TEST FOR WINDING TO WINDING = 300 VDC MIN.  
 MAX DCR IS ± 15% OF TYPICAL VALUE.  
 SERIES DCR = 0.283 OHMS TYP @ 20°C  
 SERIES RMS CURRENT = 1.25 AMPS.  
 PARALLEL: (1,4 - 3,2), SERIES: (1 - 3) TIE (2 - 4).  
 @ 100 KHZ, 0.250 VRMS, 0.0 ADC,  
 SERIES OPEN CIRCUIT INDUCTANCE = 139.2 uH ± 25 %

MAX DCR IS ± 15% OF TYPICAL VALUE  
 PARALLEL DCR = 0.071 OHMS TYP @ 20°C,  
 DELTA TEMP 40°C, AMBIENT TEMP 85°C,  
 PARALLEL RMS CURRENT = 2.49 AMPS @  
 PARALLEL (1,4 - 3,2), SERIES: (1 - 3) TIE (2 - 4).  
 @ 100 KHZ, 0.250 VRMS, 0.0 ADC,  
 PARALLEL OPEN CIRCUIT INDUCTANCE = 34.80 uH ± 25 %,  
 PARALLEL RATED INDUCTANCE = 33.0 uH

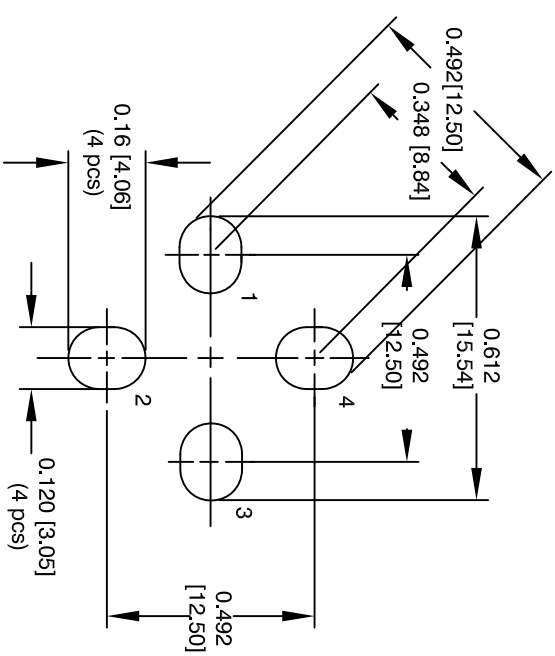
3 SPECIFICATIONS:

- 2 WIRE: UL RECOGNIZED 130°C RATING MAGNET WIRE  
 CWS BYTEMARK OR OTHER APPROVED PART  
 CORE: TOROID
- 1 BOBBIN RATING CLASS B (130°C) REQUIRED  
 MATERIAL: UL RECOGNIZED 94V-0 FOR FLAMMABILITY  
 NOTES: UNLESS OTHERWISE SPECIFIED, READ FROM BOTTOM UP.

EP FORM0005 REV 3 10/01



TOP VIEW



MOUNTING HOLES PATTERN

REVISION HISTORY		SIGN & DATE				
REV	ECN	DESCRIPTION	BY	DATE	CHK	DATE
A		PRODUCTION RELEASE	RCL	6/19/11	JLUU	7/06/04
B		FOOTPRINT AND NOTE UPDATE	RCL	6/20/11	JLUU	4/30/11

QTY	CODE IDENT	MFG. P/N	DESCRIPTION	ITEM NO.
<b>PARTS LIST</b>				
AUTOCAD SOLIDWORKS		X	CWS Coil Winding Specialist. 1510 E. Edinger Ave., Unit B, Santa Ana, CA. 92705	
DRWN	RPR	7/06/04	TITLE: Parallel Series Inductor	
CHKD	JLJU	7/06/04	SIZE	DMG. NO.
ENGR	KSUM	7/06/04	B	CX33-4-HF
APPR	JLJU	7/06/04	SCALE	4=1
UNLESS OTHERWISE SPECIFIED				DO NOT SCALE DRAWING
DIMENSIONING AND TOLERANCE PER ANSI Y14.5M AND [MILLIMETERS].				
TOLERANCE INCHES: .XXX±.010 XX±.015 .X±.030				
TOLERANCE METRICS: .XXX±.254 XX±.127 .X±.38				
ANGLE PROJECTION				

CAD-FILE: