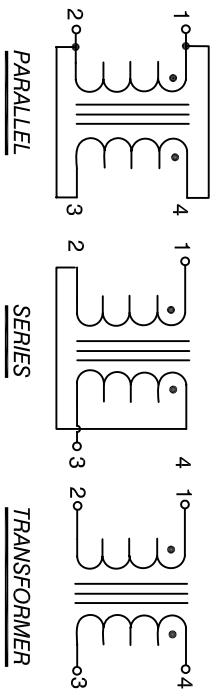


The information contained in this drawing is the sole property of CMS Coil Winding Specialist. Any reproduction in part or whole without written permission of CMS Coil Winding Specialist is prohibited.



7 BUILD TO ROHS COMPLIANCE AND Pb FREE

6 IF APPLICABLE MARK PART NUMBER

5 REMOVE INSULATION AND TIN LEADS
WIND ON TO CORE AND EVENLY SPACED CONSTRUCTION:

4 TO INSURE INTEGRITY OF WINDING SEPARATION HI-POT TEST FOR WINDING TO WINDING = 300 VDC MIN.
SERIES DCR = 0.107 OHMS MAX.
SERIES FULL LOAD CURRENT = 1.65 AMPS. DC.
SERIES FULL LOAD INDUCTANCE = 14.23 uH MIN.
SERIES OPEN CIRCUIT INDUCTANCE = 20.62 uH @ ± 20 %
PARALLEL DCR = 0.027 OHMS MAX.
PARALLEL FULL LOAD CURRENT = 3.30 AMPS. DC.
PARALLEL FULL LOAD INDUCTANCE = 3.56 uH MIN.
PARALLEL OPEN CIRCUIT INDUCTANCE = 5.15 uH @ ± 20 %

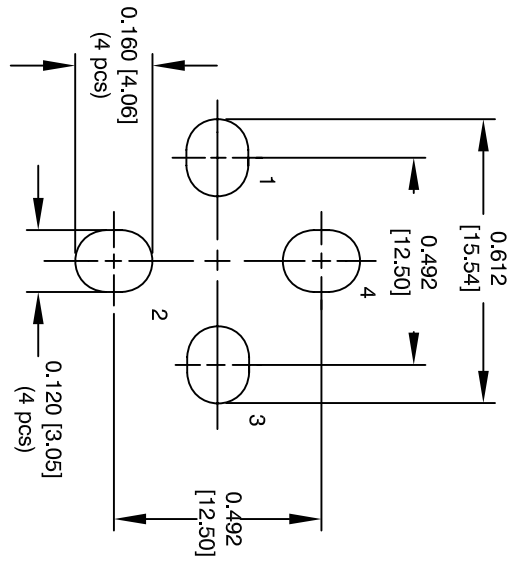
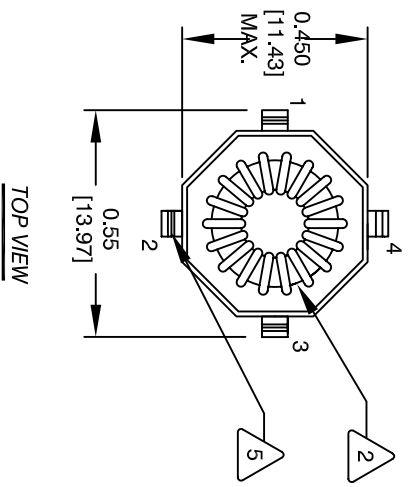
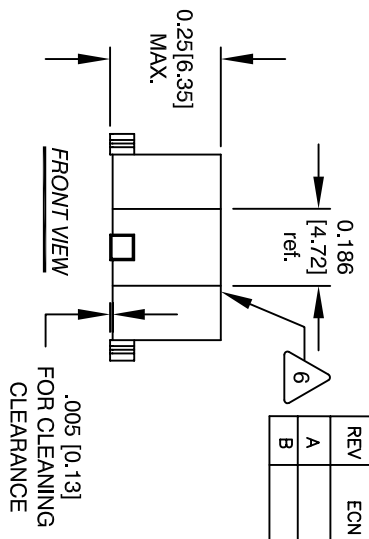
3 SPECIFICATIONS:

2 WIRE: UL RECOGNIZED 130°C RATING MAGNET WIRE
CWS BYTEMARK OR OTHER APPROVED PART
CORE: TOROID

1 BOBBIN RATING CLASS B (130°C) REQUIRED
MATERIAL: UL RECOGNIZED 94V-0 FOR FLAMMABILITY

NOTES: UNLESS OTHERWISE SPECIFIED.

REVISION HISTORY		SIGN & DATE	
REV	ECN	DESCRIPTION	DATE
A		PRODUCTION RELEASE	7/06/04
B		FOOTPRINT AND NOTE UPDATE	4/29/11



QTY	CODE IDENT	MFG. P/N	DESCRIPTION	ITEM NO.
			PARTS LIST	
	AUTOCAD			
	SOLIDWORKS			
	SIGN	DATE		
	DRWIN	7/06/04		
	CHKD	RPR	7/06/04	
	ENGR	JLJU	7/06/04	
	KSUM	7/06/04		
	APPR	JLJU	4/29/11	
	SIZE	DMG. NO.		
	B		CX5-4-1P	REV B
	SCALE		4=1	SHEET 1 OF 1

Parallel Series Inductor

sales@coilws.com
www.coilws.com
Coil Winding Specialist, Inc.
353 W. Grove Avenue
Orange, CA 92865