

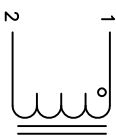
The information contained in this drawing is the sole property of Coil Winding Specialist, Inc. Any reproduction in part or whole without permission of Coil Winding Specialist, Inc. is prohibited.

DIMENSIONAL TOLERANCES INCHES (MM)											
A	B	C	D	E	F	G	H(X2)	I(X4)	J	K	P
NOM	NOM	NOM	TYP	TYP	TYP	TYP	TYP	NOM	NOM	NOM	TYP
4.58 [116.33]	2.93 [74.42]	3.40 [86.36]	1.00 [25.40]	0.18 [4.58]	0.53 [13.50]	0.46 [11.70]	0.20 [5.08]	0.20 [5.08]	1.15 [29.21]	1.98 [50.29]	1.95 [49.53]

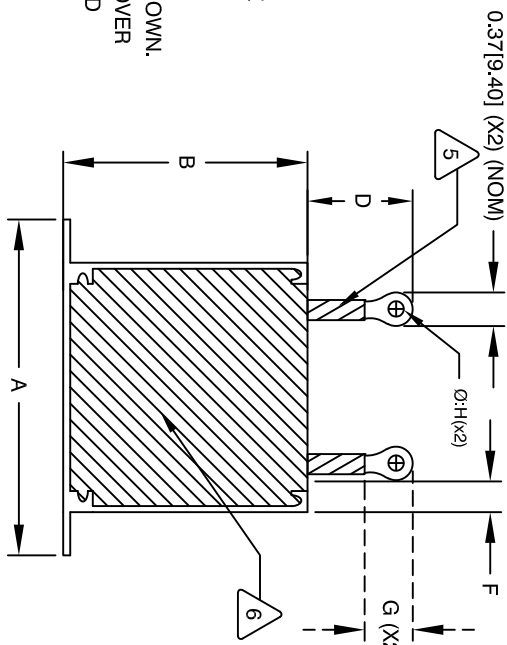
REVISION HISTORY			
REV	ECN	DESCRIPTION	DATE
A		PRODUCTION RELEASE	09/12/22

DC BIAS TABLE

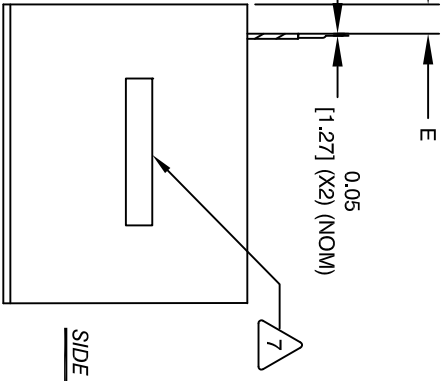
DC BIAS (AMP)	L@1KHz (REF)
0	1.13mH
5	1.13mH
10	1.12mH
14	1.12mH
16	1.11mH
18	1.08mH



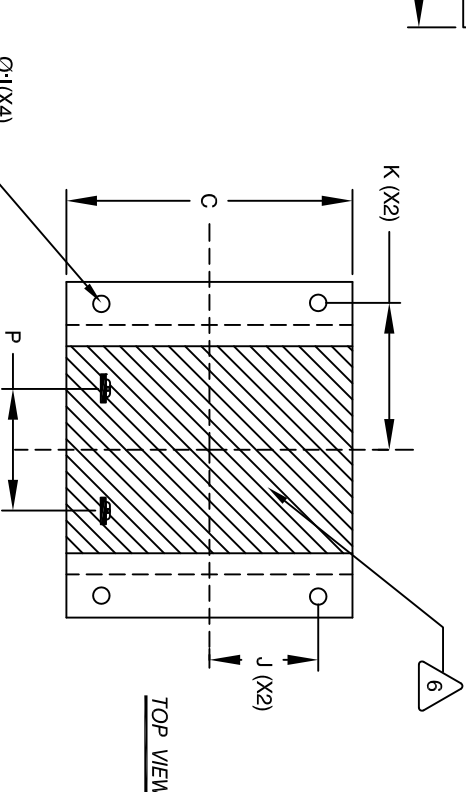
SCHEMATIC



FRONT VIEW



SIDE VIEW



TOP VIEW

Ø1(X4)
MOUNTING HOLES

PARTS LIST

QTY	CODE IDENT	MFG. P/N	DESCRIPTION	ITEM NO.

TITLE: Micro-Gapped Ferrite Inductor
1.1 mH, 18 Amps, Encapsulated

www.coilws.com
353 W. GROVE AVE
ORANGE, CA 92665

UNLESS OTHERWISE SPECIFIED
DIMENSIONING AND TOLERANCE PER ANSI Y14.5M
AND (DIMETERS).
TOLERANCE INCHES:
XXX=±.010 XX=±.020
TOLERANCE METERS:
XXX=±.254 XX=±.51
ANGLE PROJECTION
DO NOT SCALE DRAWING

APPR.	DATE	SCALE	SIZE	DMC. NO.	REV
JL	09/12/22	A		EEF65-112M-18A	A

Coil Winding Specialist, Inc.
353 W. GROVE AVE
ORANGE, CA 92665

- INSULATION CLASS 200°C REQUIRED MATERIAL: UL RECOGNIZED 94V-0 FOR FLAMMABILITY
- CORE: MICROGAPPED FERRITE E-CORE
- ENCLOSURE: ALUMINUM METAL EPOXY: UP APPROVED TYPE WIRE: UL RECOGNIZED 200°C RATED MAGNET WIRE

ANY TOLERANCE. THIS DIM. CAN VARY A LITTLE FROM PART TO PART. "TYP" IN DIM. TABLE REFERS TO A NON-CRITICAL TYPICAL (AVERAGE) DIM. WITHOUT

NOTES: UNLESS OTHERWISE SPECIFIED, READ FROM BOTTOM UP.
CAGE CODE: 5DME2

- BUILT TO ROHS COMPLIANCE AND LEAD FREE.
- MARK PART NUMBER, REVISION AND DATE CODE
- ENCAPSULATE PART AND CURE
- JOINTS WITH BLACK HEAT SHRINK TUBING AS SHOWN. SOLDER RING TERMINAL (X2) TO LEAD WIRES. COVER REMOVE INSULATION AND TIN LEADS. CRIMP AND WRAP COIL WITH INSULATION TAPE. WIND COIL EVENLY SPACED ON COIL FORMER CONSTRUCTION
- WEIGHT: 1800 GRAMS APPROX. MAX INDUCTOR TEMP RATING: 125°C RECOMMENDED OPERATING TEMP: -40°C TO 85°C HI-POT TEST FOR WINDING TO CORE ISOLATION: 1000VDC @ 2mA, 1 MIN INTERWINDING CAPACITANCE = 250pF TYP @ SRF | Z_L = 48 KILO-OHMS TYP @ SRF SRF = 300KHz TYP RATED CURRENT: 18 AMPS WITH SOME AIR FLOW DCR = 55 MILLI-OHMS MAX. DC BIAS: SEE TABLE ON THE RIGHT L = 1.1mH ± 15%, MEASURED AT 1 KHz, 0.25V, ZERO DC BIAS SPECIFICATIONS @ 25°C: