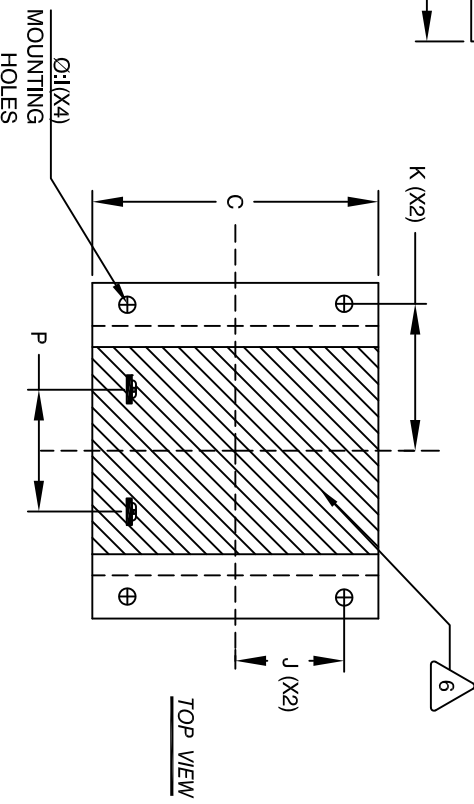
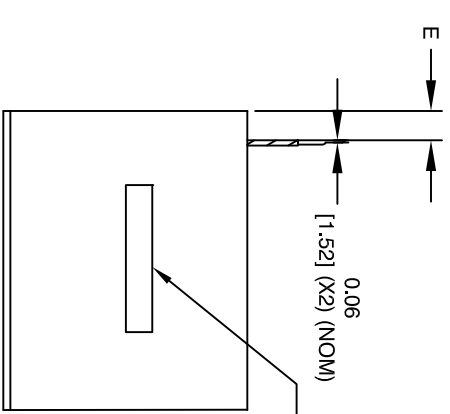
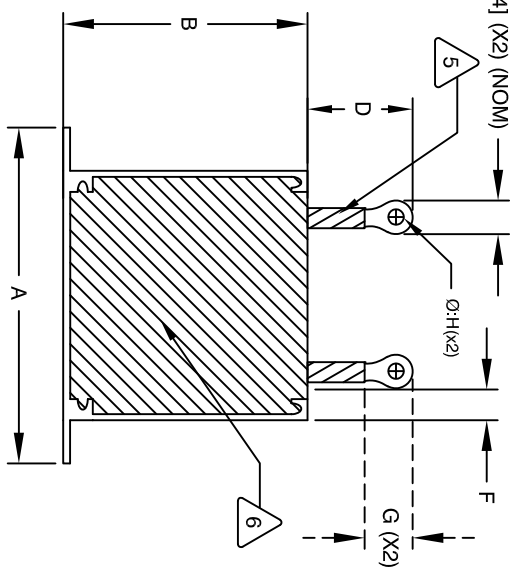
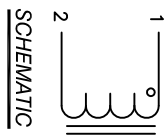


The information contained in this drawing is the sole property of Coil Winding Specialist, Inc. Any reproduction in part or whole without permission of Coil Winding Specialist, Inc. is prohibited.

DIMENSIONAL TOLERANCES INCHES (MM)											
A	B	C	D	E	F	G	H(X2)	I(X4)	J	K	P
NOM	NOM	NOM	TYP	TYP	TYP	TYP	TYP	NOM	NOM	NOM	TYP
4.58 [116.33]	2.93 [74.42]	3.40 [86.36]	1.00 [25.40]	0.24 [6.11]	0.53 [13.50]	0.46 [11.70]	0.195 [4.95]	0.20 [5.08]	1.15 [29.21]	1.98 [50.29]	1.95 [49.53]

REVISION HISTORY			
REV	ECN	DESCRIPTION	DATE
A		PRODUCTION RELEASE	09/28/22

DC BIAS TABLE			
DC BIAS (AMP)	L@1KHZ (REF)	DATE	DATE
0	163uH	09/28/22	09/28/22
5	163uH		
10	160uH		
20	158uH		
30	158uH		
40	155uH		
42	150uH		



- BUILT TO ROHS COMPLIANCE AND LEAD FREE.
- MARK PART NUMBER, REVISION AND DATE CODE
- ENCAPSULATE PART AND CURE
- JOINTS WITH BLACK HEAT SHRINK TUBING AS SHOWN. SOLDER RING TERMINAL (X2) TO LEAD WIRES. COVER REMOVE INSULATION AND TIN LEADS. CRIMP AND WRAP COIL WITH INSULATION TAPE. WIND COIL EVENLY SPACED ON COIL FORMER CONSTRUCTION
- WEIGHT: 1810 GRAMS APPROX. MAX INDUCTOR TEMP RATING: 125°C RECOMMENDED OPERATING TEMP: -40°C TO 85°C HI-POT TEST FOR WINDING TO CORE ISOLATION: 1000VDC @ 2mA, 1 MIN INTERWINDING CAPACITANCE = 257pF TYP @ SRF | Z | = 14 KILO-OHMS TYP @ SRF SRF = 160KHZ TYP RATED CURRENT: 42 AMPS WITH SOME AIR FLOW DCR = 9.5 MILLI-OHMS MAX. DC BIAS: SEE TABLE ON THE RIGHT L = 160uH ± 15%, MEASURED AT 1 KHZ, 0.25V, ZERO DC BIAS SPECIFICATIONS @ 25°C:
- ENCLOSURE: ALUMINUM METAL EPOXY: UL APPROVED TYPE WIRE: UL RECOGNIZED 200°C RATED MAGNET WIRE CORE: MICROGAPPED FERRITE E-CORE
- INSULATION CLASS 200°C REQUIRED MATERIAL: UL RECOGNIZED 94V-0 FOR FLAMMABILITY

ANY TOLERANCE. THIS DIM. CAN VARY A LITTLE FROM PART TO PART. "TYP" IN DIM. TABLE REFERS TO A NON-CRITICAL TYPICAL (AVERAGE) DIM. WITHOUT

NOTES: UNLESS OTHERWISE SPECIFIED, READ FROM BOTTOM UP. CAGE CODE: 5DME2

UNLESS OTHERWISE SPECIFIED	
DIMENSIONING AND TOLERANCE PER ANSI Y14.5M	
ALL DIMENSIONS ARE IN INCHES AND [MILLIMETERS].	
TOLERANCE INCHES: .XX=±.010 .X=±.020 TOLERANCE METRCS: .XXX=±.254 .XX=±.51	
ANGLE PROJECTION	45°
DO NOT SCALE DRAWING	

PARTS LIST			
QTY	CODE IDENT	MFG. P/N	DESCRIPTION
			Coil Winding Specialist, Inc. 353 W. GROVE AVE ORANGE, CA 92665
			www.coilws.com sales@coilws.com
			Micro-Gapped Ferrite Inductor 160 uH, 42 Amps, Encapsulated
			DATE: 09/28/22
			ENGR: JL
			APPR: JL
			SCALE: NOT TO SCALE
			SHEET 1 OF 1