

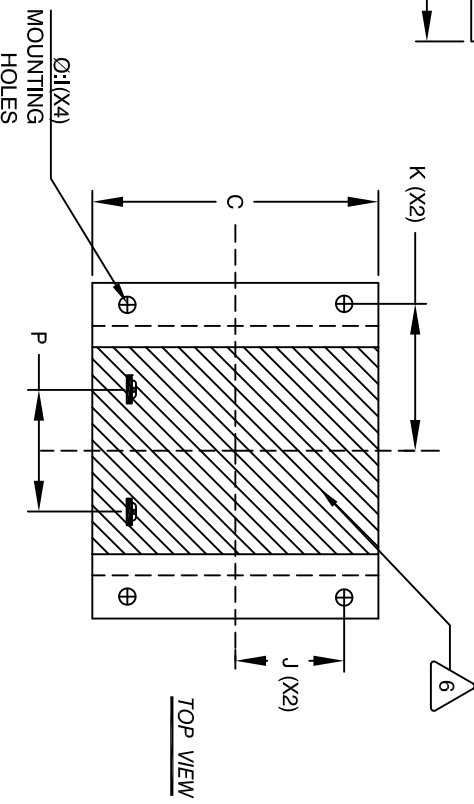
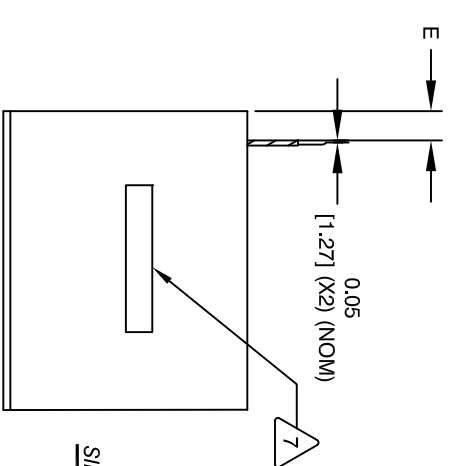
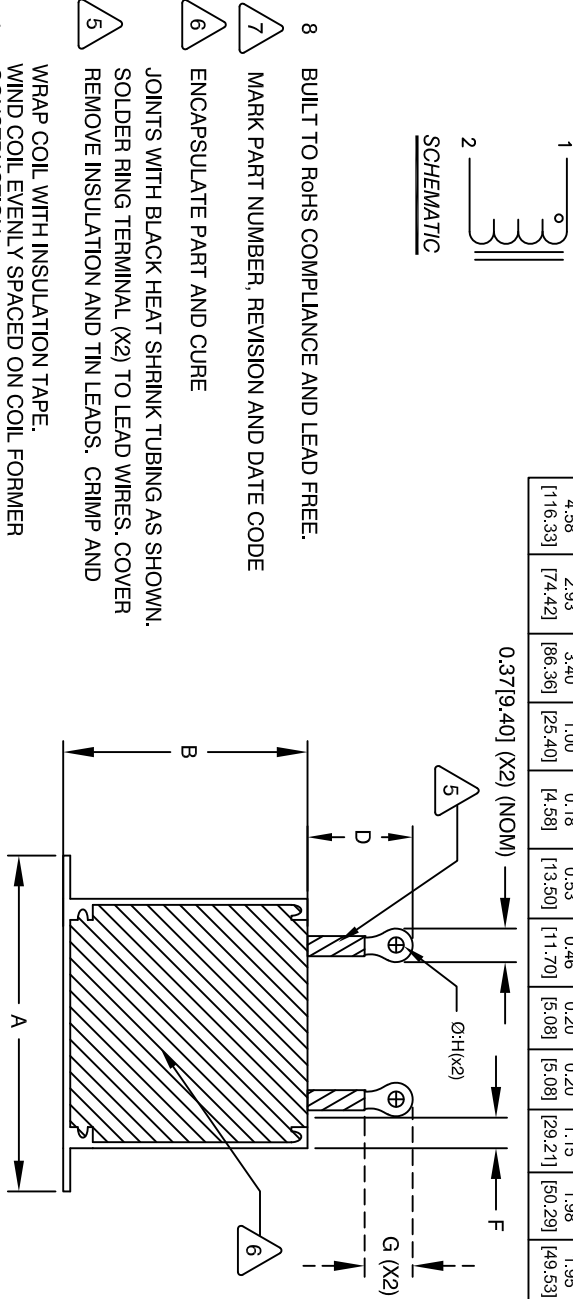
The information contained in this drawing is the sole property of Coil Winding Specialist, Inc. Any reproduction in part or whole without permission of Coil Winding Specialist, Inc. is prohibited.

DIMENSIONAL TOLERANCES INCHES (MM)											
A	B	C	D	E	F	G	H(X2)	I(X4)	J	K	P
NOM	NOM	NOM	TYP	TYP	TYP	TYP	TYP	NOM	NOM	NOM	TYP
4.58 [116.33]	2.93 [74.42]	3.40 [86.36]	1.00 [25.40]	0.18 [4.58]	0.53 [13.50]	0.46 [11.70]	0.20 [5.08]	0.20 [5.08]	1.15 [29.21]	1.98 [50.29]	1.95 [49.53]

REVISION HISTORY			
REV	ECN	DESCRIPTION	DATE
A		PRODUCTION RELEASE	09/12/22

DC BIAS TABLE

DC BIAS (AMP)	L @ 1KHz (REF)
0	2.2mH
2	2.2mH
4	2.2mH
6	2.1mH
8	2.1mH



- WEIGHT: 1800 GRAMS APPROX.
MAX INDUCTOR TEMP RATING: 125°C
RECOMMENDED OPERATING TEMP: -40°C TO 85°C
HI-POT TEST FOR WINDING TO CORE ISOLATION: 1000VDC @ 2mA, 1 MIN
INTERWINDING CAPACITANCE = 263pF TYP @ SRF
|Z| = 73 KILO-OHMS TYP @ SRF
SRF = 202KHz TYP
RATED CURRENT: 8 AMPS WITH SOME AIR FLOW
DCR = 55 MILLI-OHMS MAX.
DC BIAS: SEE TABLE ON THE RIGHT
L = 2.2mH ± 15%, MEASURED AT 1 KHz, 0.25V, ZERO DC BIAS
SPECIFICATIONS @ 25°C:
- ENCLOSURE: ALUMINUM METAL
EPOXY: UL APPROVED TYPE
WIRE: UL RECOGNIZED 200°C RATED MAGNET WIRE
- CORE: MICROGAPPED FERRITE E-CORE

- INSULATION CLASS 200°C REQUIRED
MATERIAL: UL RECOGNIZED 94V-0 FOR FLAMMABILITY

ANY TOLERANCE. THIS DIM. CAN VARY A LITTLE FROM PART TO PART.
"TYP" IN DIM. TABL. REFERS TO A NON-CRITICAL TYPICAL (AVERAGE) DIM. WITHOUT
NOTES: UNLESS OTHERWISE SPECIFIED, READ FROM BOTTOM UP.
CAGE CODE: 5DME2

QTY	CODE	MFG. P/N	DESCRIPTION	ITEM NO.
	IDENT			

PARTS LIST		MOUNTING HOLES	
UNLESS OTHERWISE SPECIFIED		Ø:1(X4)	
DIMENSIONING AND TOLERANCE PER ANSI Y14.5M			
ALL DIMENSIONS ARE IN INCHES AND [DIMENSIONS]			
TOLERANCE INCHES: .XX=±.010 .X=±.020 .XXX=±.254 .XX=±.51			
TOLERANCE METERS: .XX=±.51			
ANGLE PROJECTION			
DO NOT SCALE DRAWING			

AUTOCAD	DATE	TITLE
SOLIDWORKS	09/12/22	Micro-Gapped Ferrite Inductor
SIGN	09/12/22	2.2 mH, 8 Amps, Encapsulated
DRAWN	09/12/22	
CHKD	09/12/22	
ENGR	09/12/22	
APPR	09/12/22	

SCALE	SIZE	DWG. NO.	REV
NOT TO SCALE	A	EEF65-222M-8A	A