

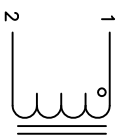
The information contained in this drawing is the sole property of Coil Winding Specialist, Inc. Any reproduction in part or whole without permission of Coil Winding Specialist, Inc. is prohibited.

DIMENSIONAL TOLERANCES INCHES (MM)											
A	B	C	D	E	F	G	H(X2)	I(X4)	J	K	P
NOM	NOM	NOM	TYP	TYP	TYP	TYP	TYP	NOM	NOM	NOM	TYP
4.58 [116.33]	2.93 [74.42]	3.40 [86.36]	1.00 [25.40]	0.24 [6.11]	1.00 [25.40]	0.46 [11.70]	0.195 [4.95]	0.20 [5.08]	1.15 [29.21]	1.98 [50.29]	2.70 [68.58]

REVISION HISTORY			
REV	ECN	DESCRIPTION	DATE
A		PRODUCTION RELEASE	09/28/22

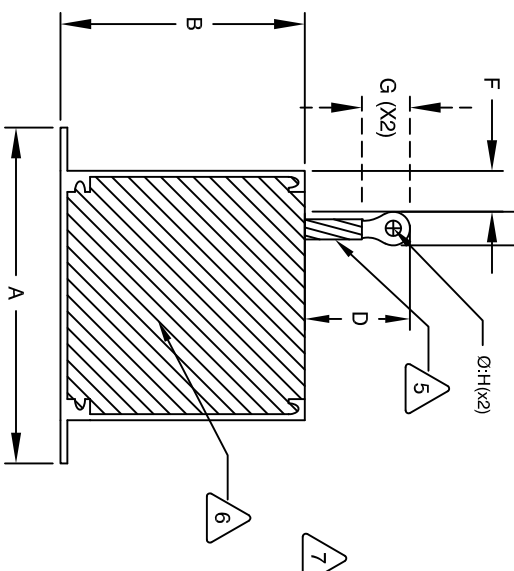
**DC BIAS TABLE**

DC BIAS (AMP)	L @ 1KHz (REF)
0	2.8mH
5	2.8mH
10	2.7mH
12	2.6mH

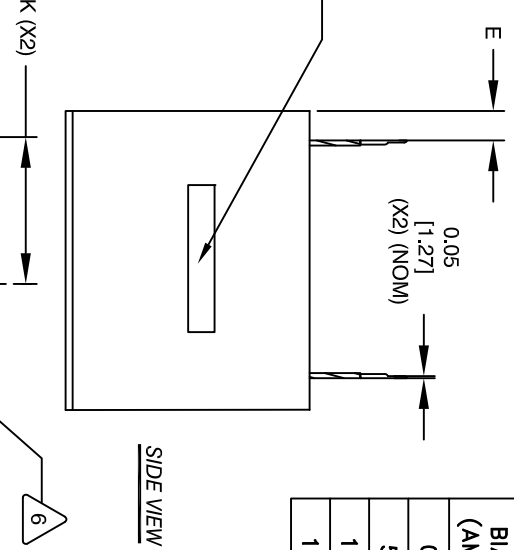


**SCHEMATIC**

- 8 BUILT TO ROHS COMPLIANCE AND LEAD FREE.
- 7 MARK PART NUMBER, REVISION AND DATE CODE
- 6 ENCAPSULATE PART AND CURE
- 5 JOINTS WITH BLACK HEAT SHRINK TUBING AS SHOWN. SOLDER RING TERMINAL (X2) TO LEAD WIRES. COVER REMOVE INSULATION AND TIN LEADS. CRIMP AND WRAP COIL WITH INSULATION TAPE. WIND COIL EVENLY SPACED ON COIL FORMER CONSTRUCTION

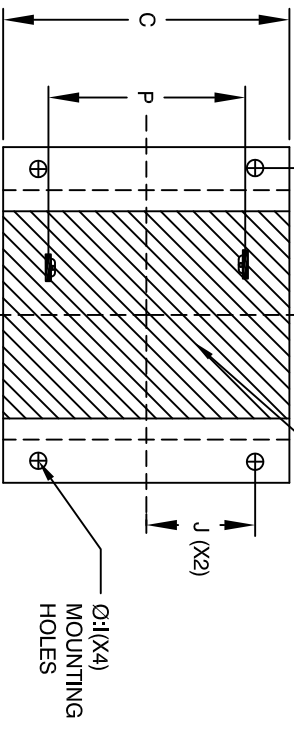


**FRONT VIEW**



**SIDE VIEW**

- 4 WEIGHT: 1760 GRAMS APPROX. MAX INDUCTOR TEMP RATING: 125°C RECOMMENDED OPERATING TEMP: -40°C TO 85°C HI-POT TEST FOR WINDING TO CORE ISOLATION: 1000VDC @ 2mA, 1 MIN INTERWINDING CAPACITANCE = 213pF TYP @ SRF | Z1 = 85 KILLO-OHMS TYP @ SRF SRF = 208 KHz TYP RATED CURRENT: 12 AMPS WITH SOME AIR FLOW DCR = 145 MILLI-OHMS MAX. DC BIAS: SEE TABLE ON THE RIGHT L = 2.7mH ± 15%, MEASURED AT 1 KHz, 0.25V, ZERO DC BIAS SPECIFICATIONS @ 25°C:



**TOP VIEW**

- 3 ENCLOSURE: ALUMINUM METAL EPOXY: UL APPROVED TYPE WIRE: UL RECOGNIZED 200°C RATED MAGNET WIRE CORE: MICROGAPPED FERRITE E-CORE
- 2 INSULATION CLASS 200°C REQUIRED MATERIAL: UL RECOGNIZED 94V-0 FOR FLAMMABILITY
- 1 ANY TOLERANCE. THIS DIM. CAN VARY A LITTLE FROM PART TO PART. "TYP" IN DIM. TABLE REFERS TO A NON-CRITICAL TYPICAL (AVERAGE) DIM. WITHOUT NOTES: UNLESS OTHERWISE SPECIFIED, READ FROM BOTTOM UP. CAGE CODE: 5DME2

UNLESS OTHERWISE SPECIFIED

DIMENSIONING AND TOLERANCE PER ANSI Y14.5M AND (DIMENSIONS ARE IN INCHES AND [MILLIMETERS]).

TOLERANCE INCHES: .XX=±.010 .X=±.020 .XXX=±.254 .XX=±.51

ANGLE PROJECTION

DO NOT SCALE DRAWING

QTY	CODE	MFG. P/N	DESCRIPTION	ITEM NO.
	IDENT			

AUTOCAD SOLIDWORKS		X	
SIGN	DATE		
TN	09/28/22		
JM	09/28/22		
JL	09/28/22		

DATE	CHK	DATE
09/28/22	JL	09/28/22

SCALE	SHEET	OF
NOT TO SCALE	1	1