

The information contained in this drawing is the sole property of Coil Winding Specialist, Inc. Any reproduction in part or whole without permission of Coil Winding Specialist, Inc. is prohibited.

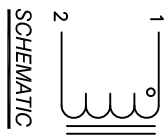
DIMENSIONAL TOLERANCES INCHES (MM)

A	B	C	D	E	F	G	H(X2)	I(X4)	J	K	P
NOM	NOM	NOM	TYP	TYP	TYP	TYP	TYP	NOM	NOM	NOM	TYP
4.58 [116.33]	2.93 [74.42]	3.40 [86.36]	1.00 [25.40]	0.24 [6.11]	0.53 [13.50]	0.46 [11.70]	0.195 [4.95]	0.20 [5.08]	1.15 [29.21]	1.98 [50.29]	1.95 [49.53]

REV	ECN	DESCRIPTION	DATE
A		PRODUCTION RELEASE	09/28/22

DC BIAS TABLE

DC BIAS (AMP)	L@1KHz (REF)
0	397uH
5	397uH
10	395uH
15	390uH
20	370uH



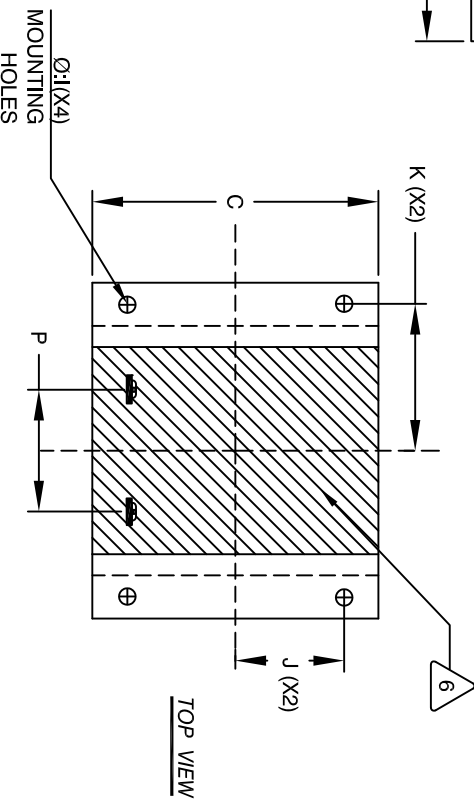
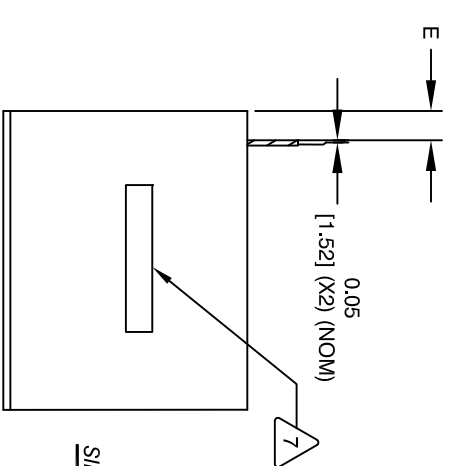
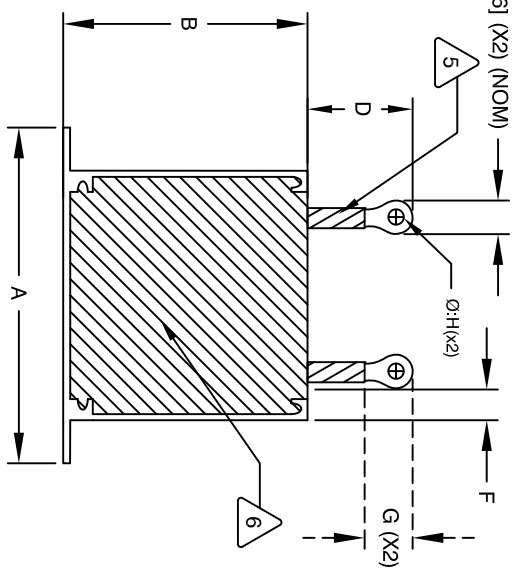
8 BUILT TO ROHS COMPLIANCE AND LEAD FREE.

7 MARK PART NUMBER, REVISION AND DATE CODE

6 ENCAPSULATE PART AND CURE

5 JOINTS WITH BLACK HEAT SHRINK TUBING AS SHOWN. SOLDER RING TERMINAL (X2) TO LEAD WIRES. COVER REMOVE INSULATION AND TIN LEADS. CRIMP AND

4 WRAP COIL WITH INSULATION TAPE. WIND COIL EVENLY SPACED ON COIL FORMER CONSTRUCTION



WEIGHT: 1810 GRAMS APPROX.
 MAX INDUCTOR TEMP RATING: 125°C
 RECOMMENDED OPERATING TEMP: -40°C TO 85°C
 HI-POT TEST FOR WINDING TO CORE ISOLATION: 1000VDC @ 2mA, 1 MIN
 INTERWINDING CAPACITANCE = 220pF TYP @ SRF
 |Z| = 26 KILO-OHMS TYP @ SRF
 SRF = 541KHz TYP
 RATED CURRENT: 20 AMPS WITH SOME AIR FLOW
 DCR = 9.5 MILLI-OHMS MAX.
 DC BIAS: SEE TABLE ON THE RIGHT
 L = 390uH ± 15%, MEASURED AT 1 KHz, 0.25V, ZERO DC BIAS SPECIFICATIONS @ 25°C:

3 ENCLOSURE: ALUMINUM METAL
 EPOXY: UL APPROVED TYPE
 WIRE: UL RECOGNIZED 200°C RATED MAGNET WIRE
 CORE: MICROGAPPED FERRITE E-CORE

2 INSULATION CLASS 200°C REQUIRED MATERIAL: UL RECOGNIZED 94V-0 FOR FLAMMABILITY

1 ANY TOLERANCE. THIS DIM. CAN VARY A LITTLE FROM PART TO PART. "TYP" IN DIM. TABLE REFERS TO A NON-CRITICAL TYPICAL (AVERAGE) DIM. WITHOUT

NOTES: UNLESS OTHERWISE SPECIFIED, READ FROM BOTTOM UP.
 CAGE CODE: 5DME2

UNLESS OTHERWISE SPECIFIED
DIMENSIONING AND TOLERANCE PER ANSI Y14.5M
ALL DIMENSIONS ARE IN INCHES AND [MILLIMETERS].
TOLERANCE INCHES: .XX=±.010 .X=±.020 .XXX=±.024 .XX=±.51
TOLERANCE METRCS: .X=±0°30'
ANGLE PROJECTION
DO NOT SCALE DRAWING

QTY	CODE	MFG. P/N	DESCRIPTION	ITEM NO.
	IDENT			
PARTS LIST				
AUTOCAD SOLIDWORKS SIGN		DATE		
DRAWN	TN	09/28/22	TITLE: Micro-Gapped Ferrite Inductor	
CHKD	JM	09/28/22	390 uH, 20 Amps, Encapsulated	
ENGR	JL	09/28/22	SIZE DIM. NO. EEF65-391M-20A	
APPR	JL	09/28/22	SCALE	REV
			NOT_TO_SCALE	A