

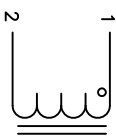
The information contained in this drawing is the sole property of Coil Winding Specialist, Inc. Any reproduction in part or whole without permission of Coil Winding Specialist, Inc. is prohibited.

DIMENSIONAL TOLERANCES INCHES (MM)											
A	B	C	D	E	F	G	H(X2)	I(X4)	J	K	P
NOM	NOM	NOM	TYP	TYP	TYP	TYP	TYP	NOM	NOM	NOM	TYP
4.58 [116.33]	2.93 [74.42]	3.40 [86.36]	1.00 [25.40]	0.24 [6.11]	1.00 [25.40]	0.46 [11.70]	0.195 [4.95]	0.20 [5.08]	1.15 [29.21]	1.98 [50.29]	2.70 [68.58]

REVISION HISTORY			
REV	ECN	DESCRIPTION	DATE
A		PRODUCTION RELEASE	09/28/22

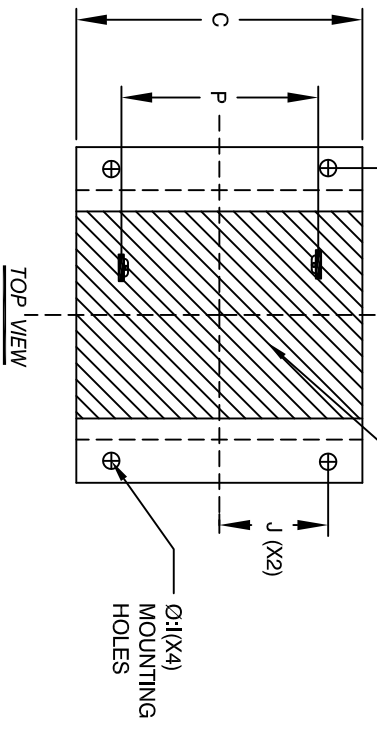
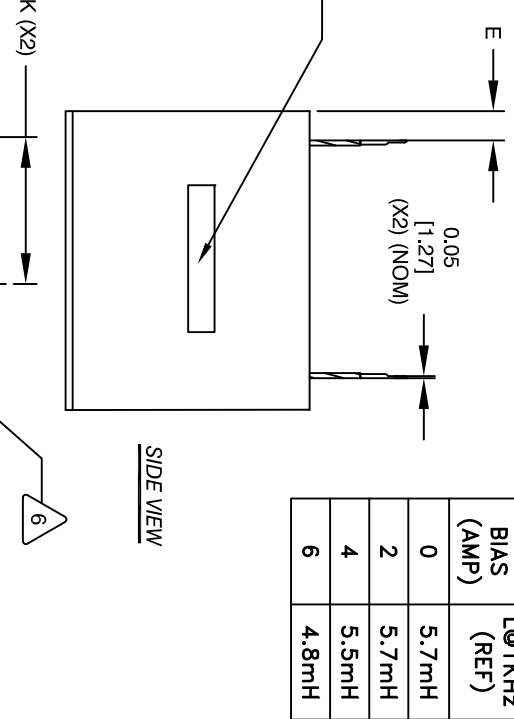
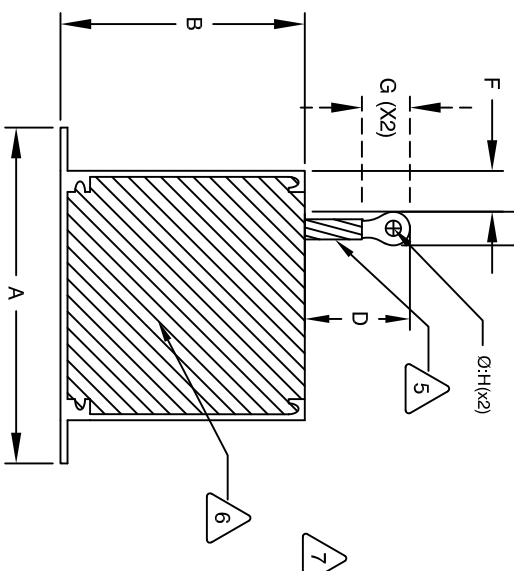
DC BIAS TABLE

DC BIAS (AMP)	L @ 1KHz (REF)
0	5.7mH
2	5.7mH
4	5.5mH
6	4.8mH



SCHEMATIC

- 1 BUILT TO ROHS COMPLIANCE AND LEAD FREE.
- 2 MARK PART NUMBER, REVISION AND DATE CODE
- 3 ENCAPSULATE PART AND CURE
- 4 JOINTS WITH BLACK HEAT SHRINK TUBING AS SHOWN. SOLDER RING TERMINAL (X2) TO LEAD WIRES. COVER REMOVE INSULATION AND TIN LEADS. CRIMP AND WRAP COIL WITH INSULATION TAPE. WIND COIL EVENLY SPACED ON COIL FORMER CONSTRUCTION
- 5 WEIGHT: 1760 GRAMS APPROX. MAX INDUCTOR TEMP RATING: 125°C RECOMMENDED OPERATING TEMP: -40°C TO 85°C HI-POT TEST FOR WINDING TO CORE ISOLATION: 1000VDC @ 2mA, 1 MIN INTERWINDING CAPACITANCE = 88pF TYP @ SRF |Z| = 132 KILO-OHMS TYP @ SRF SRF = 143 KHz TYP RATED CURRENT: 6 AMPS WITH SOME AIR FLOW DCR = 145 MILLI-OHMS MAX. DC BIAS: SEE TABLE ON THE RIGHT L = 5.5mH ± 15%, MEASURED AT 1 KHz, 0.25V, ZERO DC BIAS SPECIFICATIONS @ 25°C:
- 6 ENCLOSURE: ALUMINUM METAL EPOXY: UL APPROVED TYPE WIRE: UL RECOGNIZED 200°C RATED MAGNET WIRE CORE: MICROGAPPED FERRITE E-CORE
- 7 INSULATION CLASS 200°C REQUIRED MATERIAL: UL RECOGNIZED 94V-0 FOR FLAMMABILITY



- 1 ANY TOLERANCE. THIS DIM. CAN VARY A LITTLE FROM PART TO PART. "TYP" IN DIM. TABLE REFERS TO A NON-CRITICAL TYPICAL (AVERAGE) DIM. WITHOUT NOTES: UNLESS OTHERWISE SPECIFIED, READ FROM BOTTOM UP. CAGE CODE: 5DME2

EP FORM0005 REV 3 10/01

QTY	CODE	MFG. P/N	DESCRIPTION	ITEM NO.
	IDENT			

AUTOCAD		DATE		DATE	
SIGN					

DRWN	DATE	ENGR	DATE	APPR	DATE
TN	09/28/22	JM	09/28/22	JL	09/28/22

SCALE	SIZE	DWG. NO.	REV
NOT_TO_SCALE	A	EEF65-552M-6A	A

PARTS LIST		DESCRIPTION		ITEM NO.
QTY <td></td> <td>DESCRIPTION</td> <td></td> <td></td>		DESCRIPTION		

UNLESS OTHERWISE SPECIFIED	
DIMENSIONING AND TOLERANCE PER ANSI Y14.5M AND (DIMETERS).	ALL DIMENSIONS ARE IN INCHES
TOLERANCE INCHES: .XXX=±.010 .XX=±.020 .XX=±.254 .XX=±.51	ANGLE PROJECTION

DO NOT SCALE DRAWING	
----------------------	--

www.coilw.com
sales@coilw.com

Coil Winding Specialist, Inc.
353 W. GROVE AVE
ORANGE, CA 92665

Micro-Gapped Ferrite Inductor
5.5 mH, 6 Amps, Encapsulated