

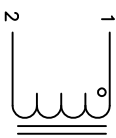
The information contained in this drawing is the sole property of Coil Winding Specialist, Inc. Any reproduction in part or whole without permission of Coil Winding Specialist, Inc. is prohibited.

DIMENSIONAL TOLERANCES INCHES (MM)											
A	B	C	D	E	F	G	H(X2)	I(X4)	J	K	P
NOM	NOM	NOM	TYP	TYP	TYP	TYP	TYP	NOM	NOM	NOM	TYP
4.58 [116.33]	2.93 [74.42]	3.40 [86.36]	1.00 [25.40]	0.24 [6.11]	1.00 [25.40]	0.46 [11.70]	0.195 [4.95]	0.20 [5.08]	1.15 [29.21]	1.98 [50.29]	2.80 [71.12]

REVISION HISTORY			
REV	ECN	DESCRIPTION	DATE
A		PRODUCTION RELEASE	09/28/22

DC BIAS TABLE

DC BIAS (AMP)	L@1KHz (REF)
0	678uH
5	678uH
10	650uH
12	630uH
16	600uH



SCHEMATIC

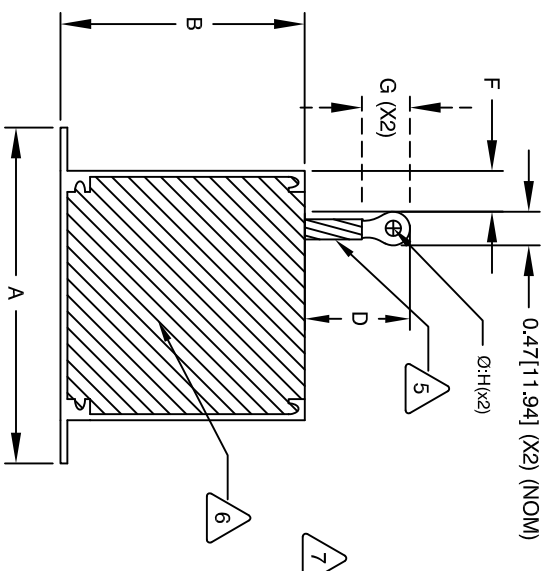
8 BUILT TO ROHS COMPLIANCE AND LEAD FREE.

7 MARK PART NUMBER, REVISION AND DATE CODE

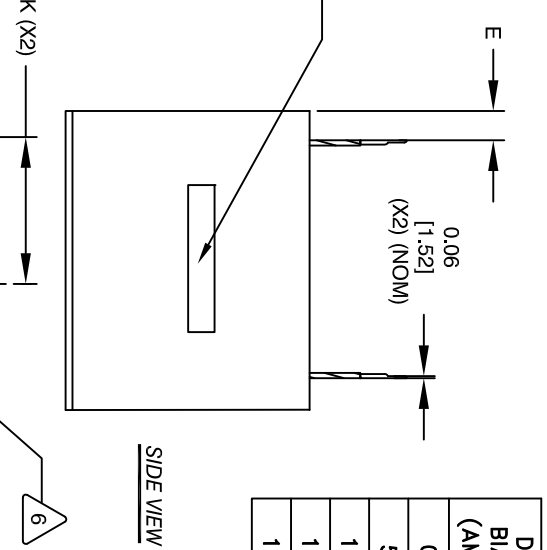
6 ENCAPSULATE PART AND CURE

5 JOINTS WITH BLACK HEAT SHRINK TUBING AS SHOWN. SOLDER RING TERMINAL (X2) TO LEAD WIRES. COVER REMOVE INSULATION AND TIN LEADS. CRIMP AND

4 WRAP COIL WITH INSULATION TAPE. WIND COIL EVENLY SPACED ON COIL FORMER CONSTRUCTION

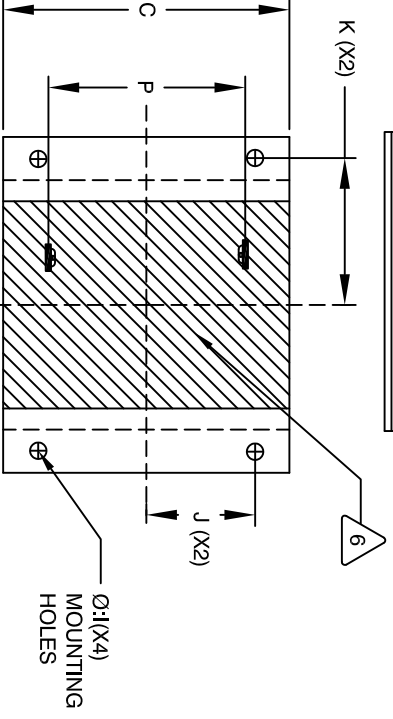


FRONT VIEW



SIDE VIEW

WEIGHT: 1760 GRAMS APPROX.
 MAX INDUCTOR TEMP RATING: 125°C
 RECOMMENDED OPERATING TEMP: -40°C TO 85°C
 HI-POT TEST FOR WINDING TO CORE ISOLATION: 1000VDC @ 2mA, 1 MIN
 INTERWINDING CAPACITANCE = 88pF TYP @ SRF
 |Z| = 1.68 KILLO-OHMS TYP @ SRF
 SRF = 7 MHz TYP
 RATED CURRENT: 16 AMPS WITH SOME AIR FLOW
 DCR = 21 MILLI-OHMS MAX.
 DC BIAS: SEE TABLE ON THE RIGHT
 L = 650uH ± 15%, MEASURED AT 1 KHz, 0.25V, ZERO DC BIAS SPECIFICATIONS @ 25°C:



TOP VIEW

ENCLOSURE: ALUMINUM METAL
 EPOXY: UL APPROVED TYPE
 WIRE: UL RECOGNIZED 200°C RATED MAGNET WIRE
 CORE: MICROGAPPED FERRITE E-CORE

2 INSULATION CLASS 200°C REQUIRED MATERIAL: UL RECOGNIZED 94V-0 FOR FLAMMABILITY

1 ANY TOLERANCE. THIS DIM. CAN VARY A LITTLE FROM PART TO PART. "TYP" IN DIM. TABLE REFERS TO A NON-CRITICAL TYPICAL (AVERAGE) DIM. WITHOUT

NOTES: UNLESS OTHERWISE SPECIFIED, READ FROM BOTTOM UP.
 CAGE CODE: 5DME2

QTY		CODE	MFG. P/N	DESCRIPTION	ITEM NO.
IDENT		PARTS LIST			
UNLESS OTHERWISE SPECIFIED		AUTOCAD X			
DIMENSIONING AND TOLERANCE PER ANSI Y14.5M		DRAWN TN 09/28/22			
ALL DIMENSIONS ARE IN INCHES AND [MILLIMETERS].		CHKD JM 09/28/22			
TOLERANCE INCHES: .XXX=±.010 .XX=±.020 .X=±.030		ENGR. JL 09/28/22			
TOLERANCE METRICS: .XXX=±.254 .XX=±.51		APPR. JL 09/28/22			
ANGLE PROJECTION		SCALE A			
DO NOT SCALE DRAWING		SIZE DIM. NO. EEF65-651M-16A			
		NOT TO SCALE			
		SHEET 1 OF 1			

TITLE: Micro-Gapped Ferrite Inductor
 650 uH, 16 Amps, Encapsulated

Coil Winding Specialist, Inc.
 353 W. GROVE AVE
 ORANGE, CA 92665