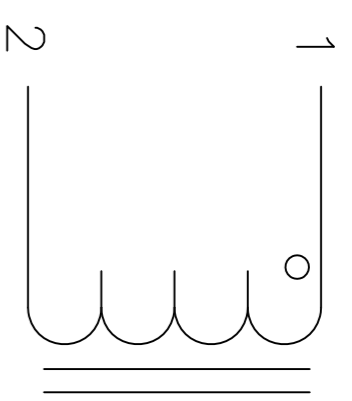


REVISION HISTORY

REV	ECN	DESCRIPTION	SIGN & DATE			
			BY	DATE	CHK	DATE
A		PRODUCTION RELEASE	RLL	2/13/11	JCL	2/13/11
B		REVISED MECH. & ELEC. SPEC.	TN	08/20/19	JL	08/20/19



SCHEMATIC

- 8 NOISE FILTERS
- APPLICATION: ENERGY STORAGE FILTER, SWINGING CHOKES

- 7 BUILT TO ROHS COMPLIANCE AND LEAD FREE.

- 6 MARK PART NUMBER AND REVISION WHERE SHOWN

- 5 VANISH PART AND CURE
- APPLY SILICON WHERE SHOWN

- 4 WRAP TAPE AROUND CORES
- WITH CORES AND NOMEX SPACERS
- ASSEMBLE PRE FORMED FLAT HELICAL COIL
- CONSTRUCTION

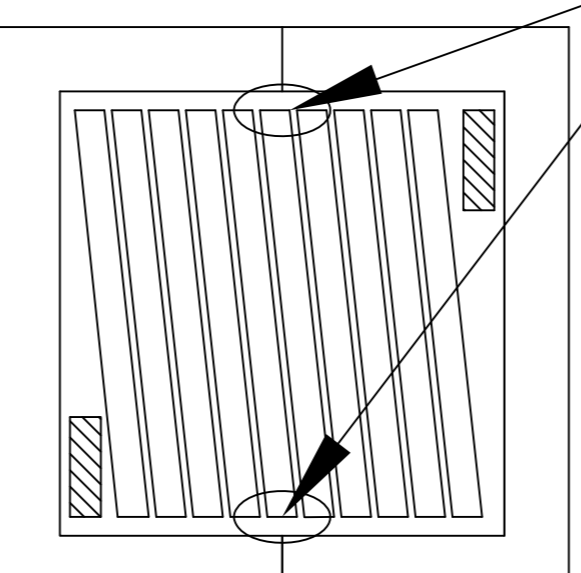
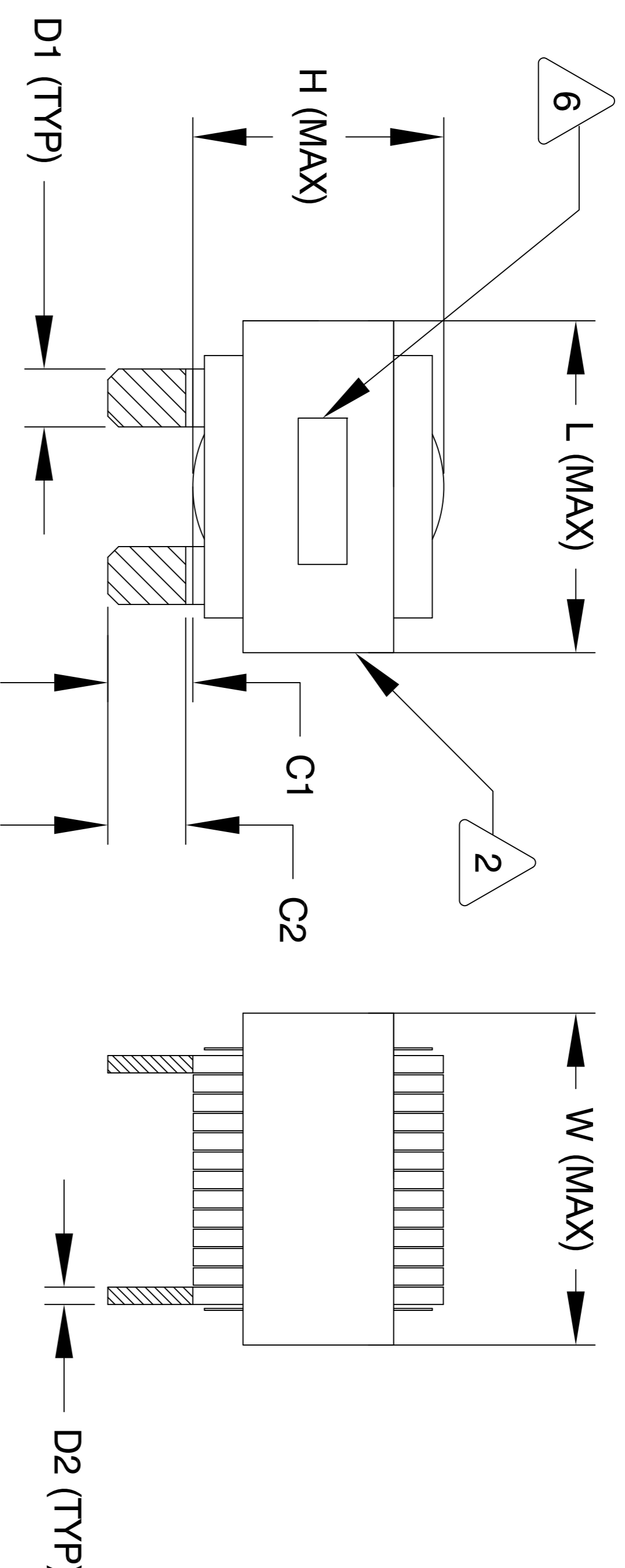
- WEIGHT: 444.69 GRAM (TYP)
- MAX INDUCTOR TEMP RATING: 200°C
- RECOMMENDED OPERATING TEMP: -40°C TO 85°C
- HI-POT TEST FOR WINDING TO CORE ISOLATION. 1000VDC @ 2mA, 1 MIN
- INTERWINDING CAPACITANCE @ 10KHZ = 16.46pF (TYP)
- |z|@SRF=6.3 KILO-OHM (TYP)
- SRF=2.5 MHz (TYP)
- RATED CURRENT: 40 AMPS
- DCR = 12.0 MILLI-OHM MAX.
- L@DC BIAS: SEE TABLE ON THE RIGHT.
- L = 220uH, MEASURED AT 10 KHZ, 0.25V, ZERO DC BIAS
- SPECIFICATIONS:

- 3 VANISH DOLPH or EQUAL
- SILICON DOW CORNING OR EQUAL
- NOMEX SPACERS FOR SIDE AND CENTER LEG OF CORES
- OUTER WRAP: 3M GLASS OR EQUAL
- WIRE: UL RECOGNIZED 200°C RATED MAGNET WIRE
- CORE: COMPACTED POWDERED CORE

- 2 INSULATION CLASS 200°C REQUIRED
- MATERIAL: UL RECOGNIZED 94V-0 FOR FLAMMABILITY

NOTES: UNLESS OTHERWISE SPECIFIED, READ FROM BOTTOM UP.

CAGE NO: 5DME2



BOTTOM VIEW

MOUNTING HOLES PATTERN

DC-BIAS	L
0A	247.1 uH
5A	226.5 uH
10A	197.7 uH
15A	163.4 uH
20A	131.1 uH
25A	104.6 uH

DIMENSIONAL TOLERANCE

	mm	inch
C1	13.00 ± 1.00	0.51 ± 0.04
C2	12.00 ± 1.00	0.47 ± 0.04
D1	6.0 (TYP)	0.23 (TYP)
D2	0.9 (TYP)	0.04 (TYP)
L	58.0 MAX	2.29 MAX
W	58.0 MAX	2.29 MAX
H	33.0 MAX	1.30 MAX
P1	26.0 ± 1.00	1.02 ± 0.04
P2	36.1 ± 1.00	1.42 ± 0.04

QTY	CODE IDENT	MFG. P/N	DESCRIPTION	ITEM NO.
	AUTOCAD SOLIDWORKS			
	SIGN	DATE		
	DRAWN RL	2/11/11		
	CHECKED JL AU	2/11/11		
	ENGR. JL AU	2/11/11		
	APPR. JL AU	2/11/11		

PARTS LIST		TITLE:	
UNLESS OTHERWISE SPECIFIED	DIMENSIONING AND TOLERANCE PER ANSI Y14.5M	High Current Helical Inductor	
	ALL DIMENSIONS ARE IN INCHES AND [MILLIMETERS].	220 uH, 40 Amps, Horizontal	
	TOLERANCE INCHES: .XX=±.020 .XXX=±.010 .XX=±.020	SIZE	DWG. NO.
	TOLERANCE METRICS: .XX=±.51 .XXX=±.254	B	ES55246-221M-40AH
	ANGLE PROJECTION	SCALE	NOT TO SCALE
	DO NOT SCALE DRAWING		

www.coilws.com		Coil Winding Specialist, Inc.	
sales@coilws.com		353 W GROVE AVE	
		ORANGE, CA 92865	