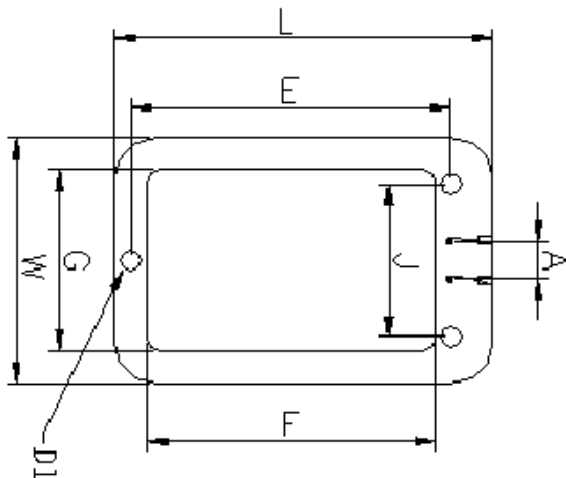


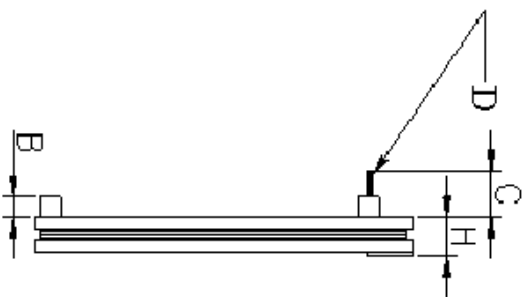
The information contained in this drawing is the sole property of Coil Winding Specialist. Any reproduction in part or whole without written permission of Coil Winding Specialist is prohibited.

REVISION HISTORY

| REV | ECN | DESCRIPTION | BY | DATE | CHK | DATE |
|-----|-----|-----------------------|-----|---------|-----|---------|
| A | N/A | RELEASE TO PRODUCTION | JLU | 4/15/11 | AK | 4/15/11 |



| DIMENSION TOLERANCE | |
|---------------------|-----------|
| A | 4.8±0.5 |
| B | 3-Φ2.5 |
| C | 5.8 REF |
| D | 0.65*0.65 |
| E | 39.5 REF |
| F | 35.2±0.3 |
| G | 22±0.3 |
| J | 20±0.5 |
| L | 46.3±0.3 |
| W | 30±0.3 |
| H | 6MAX |



- 1 MATERIAL: BOBBIN UL 94V-0
 - 2 ELECTRICAL: 737 uH +/- 15uH, ANTENNA MATERIAL: 600V COPPER WIRE .36 AWG.
- NOTES: UNLESS OTHERWISE STATED, READ NOTES FROM BOTTOM UP

UNLESS OTHERWISE SPECIFIED
 DIMENSIONS ARE IN INCHES
 TOLERANCES:
 ANGULAR: +/- 1°
 MACH/-.25° BEND +/- .50°
 ONE PLACE DECIMAL +/- .03
 TWO PLACE DECIMAL +/- .01
 THREE PLACE DECIMAL +/- .005
 RADII +/- .01
 FRACTIONAL +/- 1/16
 DO NOT SCALE DRAWING

PARTS LIST

| AUTOCAD SOLIDWORKS SIGN | DATE | SALES@COILWS.COM/ WWW.COILWS.COM | CMS Coil Winding Specialist. 353 W Grove Ave Orange, CA 92665 |
|-------------------------|---------|-------------------------------------|---|
| AK | 4/15/11 | | |
| JM | 4/15/11 | | |
| JLU | 4/15/11 | | |
| JLU | 4/15/11 | | |

COILS
 FP-0086
 N/A
 SHEET 1 OF 1