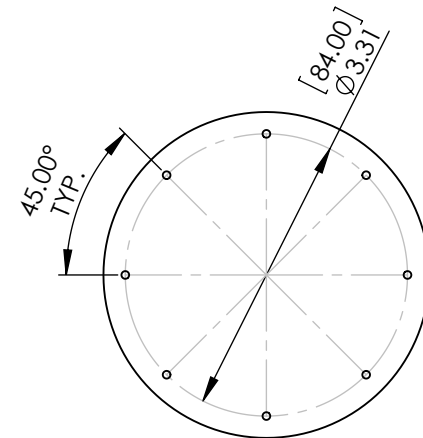
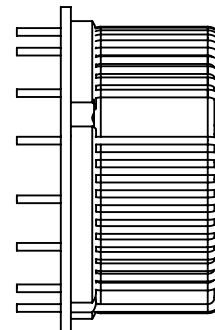
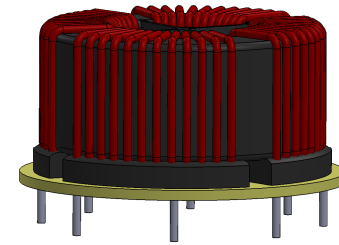
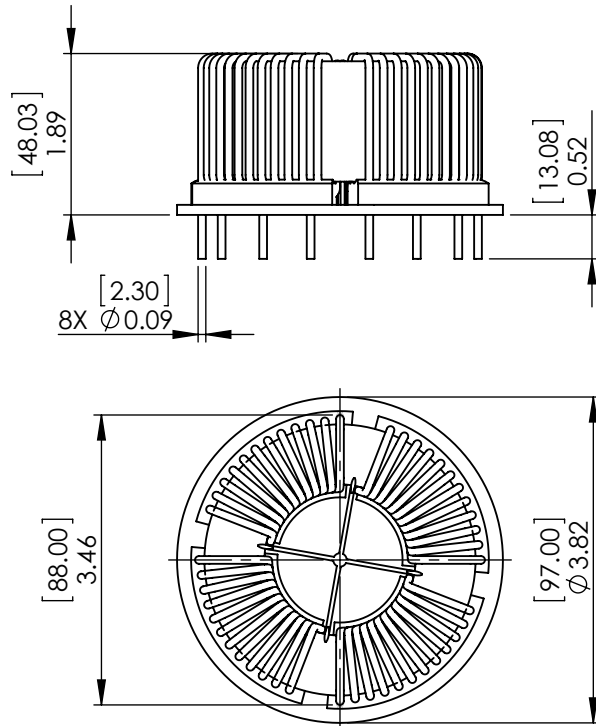


2

1

FOR REFERENCE ONLY



- THE PART NUMBER ON THE WEBSITE.
- 4. PLEASE REFER TO OFFICIAL AUTOCAD PDF DRAWING BY CLICKING
- 3. DIMENSIONS ARE FOR REFERENCE ONLY WITH NO TOLERANCES.

- THE SOLIDWORKS DRAWING.
- 2. DIMENSIONS SHOWN ARE FOR ONE TYPICAL UNIT USED IN
- 1. DRAWING DERIVED FROM SOLIDWORKS STEP FILE.

NOTES : UNLESS OTHERWISE SPECIFIED, READ FROM BOTTOM UP.

**PROPRIETARY AND CONFIDENTIAL**

THE INFORMATION CONTAINED IN THIS DRAWING IS THE SOLE PROPERTY OF COIL WINDING SPECIALIST, INC. ANY REPRODUCTION IN PART OR AS A WHOLE WITHOUT THE WRITTEN PERMISSION OF COIL WINDING SPECIALIST, INC. IS PROHIBITED.

UNLESS OTHERWISE SPECIFIED:		NAME	DATE
DIMENSIONS ARE IN INCHES	DRAWN	JJ	07/21/20
TOLERANCES:	CHECKED	TN	07/21/20
FRACTIONAL ±	ENG APPR.	JL	07/21/20
ANGULAR: MACH ± BEND ±	MFG APPR.	JL	07/21/20
TWO PLACE DECIMAL ±	Q.A.	JM	07/21/20
THREE PLACE DECIMAL ±	COMMENTS:		
INTERPRET GEOMETRIC TOLERANCING PER:			
MATERIAL			
FINISH			
DO NOT SCALE DRAWING			

PDF DERIVED FROM SOLIDWORKS

TITLE:  
SolidWorks Version of  
Nanocrystalline Inductor  
Four-Phase Common Mode Choke  
Horizontal Mount

SIZE	DWG. NO.	REV
<b>A</b>	FPC-173U-B30A-SW	A
SCALE: 1:2.25	WEIGHT:	SHEET 1 OF 1

2

1