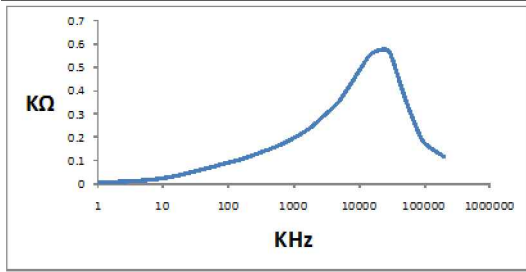


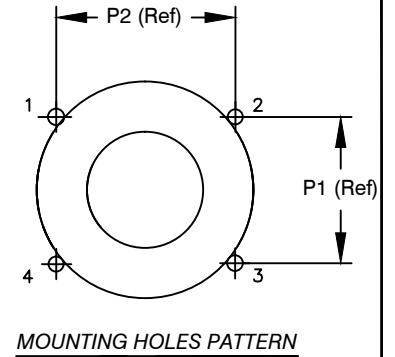
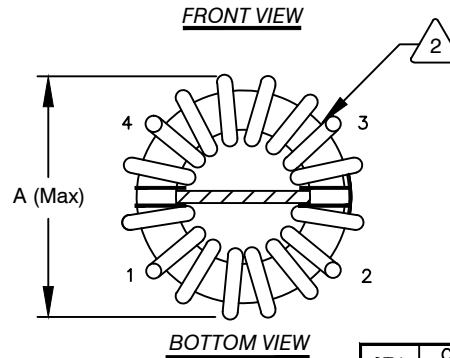
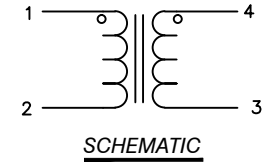
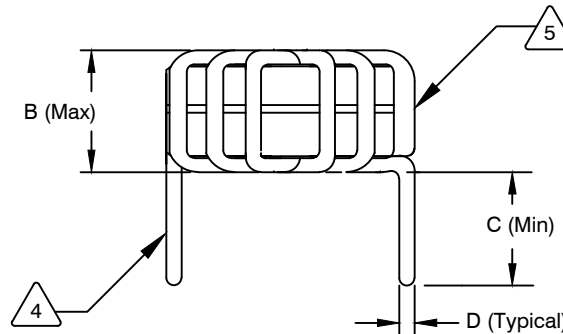
The information contained in this drawing is the sole property of Coil Winding Specialist Inc. (CWS) Any reproduction in part or whole without written permission of CWS is prohibited.

**IMPEDANCE**



DIMENSIONAL TOLERANCE INCHES [MM]						
A(OD) Max	B(WIDTH) Max	C(LEAD) Min	D(LEAD DIA) TYP	E (Min/Max)	P1 Ref	P2 Ref
0.96 [24.45]	0.71 [17.93]	0.50 [12.7]	0.06 [1.50]		0.41 [10.5]	0.75 [19.0]

REVISION HISTORY						
REV	ECN	DESCRIPTION	SIGN & DATE			
			BY	DATE	CHK	DATE
A.1	1	PRODUCTION RELEASE	RCL	7/1/11	JLAU	7/1/11



- 6 BUILT TO RoHS COMPLIANCE AND LEAD FREE.
- 5 MARK PART NUMBER AND REVISION.
- 4 TIN LEADS APPROX. 0.5 INCH AND FLUSH WITH THE COIL EDGE.

WEIGHT = 12.5 GRAMS (TYP)  
 OPERATING TEMP RANGE = -25 °C TO 120°C  
 MAX TEMP RISE = 40 °C  
 INTERWINDING ISOLATION = 2000 VOLTS RMS.  
 DCR ON EACH WINDING = 2.7 mΩ MAX.  
 SRF = 25 MHz  
 RATED VOLTAGE = 250 VAC OR VDC  
 RATED CURRENT = 10 AMPS  
 LEAKAGE INDUCTANCE = 1.0 uH TYP @ 10 KHz, 1 Vrms.  
 INTERWINDING CAPACITANCE = 0.23 pF TYP @ 10KHz.  
 IMPEDANCE @ SRF = 378.9 Ω (TYP)  
 L = 0.25 mH MIN @ 1 KHz, 1 Vrms, 0 ADC  
 INSULATION RESISTANCE = 100 MEGA-OHMS MIN. @ 500 VDC

- 3 SPECIFICATIONS AT 25°C:
- 2 WIRE: UL RECOGNIZED 200°C RATED MAGNET WIRE  
 CWS BYTEMARK OR OTHER APPROVED PART  
 CORE: NANOCRYSTALLINE OR AMORPHOUS CORE

BOBBIN RATING CLASS B (130°) REQUIRED  
 1 MATERIAL: UL RECOGNIZED 94V-0 FOR FLAMMABILITY  
 NOTES: UNLESS OTHERWISE SPECIFIED. READ NOTES FROM BOTTOM TO TOP.  
 CAGE CODE = 5DME2

UNLESS OTHERWISE SPECIFIED  
 DIMENSIONING AND TOLERANCE PER ANSI Y14.5M  
 ALL DIMENSIONS ARE IN INCHES AND [MILLIMETERS].  
 TOLERANCE INCHES:  
 .XXX=±.005 .XX=±.015 <math>\angle</math>=±0°30'  
 TOLERANCE METRICS:  
 .XXX=±.127 .XX=±.38 <math>\angle</math>=±0°30'  
 ANGLE PROJECTION   
 DO NOT SCALE DRAWING

QTY	CODE IDENT	MFG. P/N	DESCRIPTION	ITEM NO.
<b>PARTS LIST</b>				
AUTOCAD	X	<a href="http://www.coilws.com">www.coilws.com</a> Coil Winding Specialist Inc. 353 West Grove Ave Orange, California. 92865 sales@coilws.com		
SOLIDWORKS				
DRAWN	RLAU	12/16/10	TITLE: Nanocrystalline Inductor Common Mode Chokes Horizontal Mount SIZE DWG. NO. GN-H-251U-10A REV A.1 SCALE 2=1 SHEET 1 OF 1	
CHECKED	AK	12/16/10		
ENGR.	JLAU	12/16/10		
APPR.	JLAU	12/16/10		