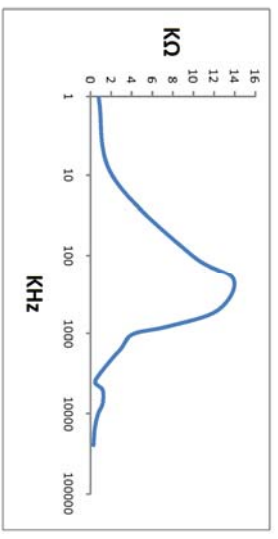


The information contained in this drawing is the sole property of Coil Winding Specialist Inc. (CWS)  
 Any reproduction in part or whole without written permission of CWS is prohibited.

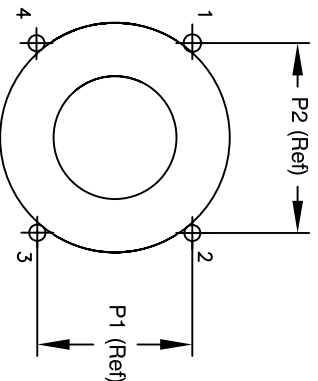
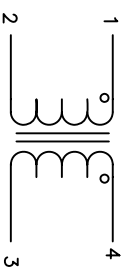
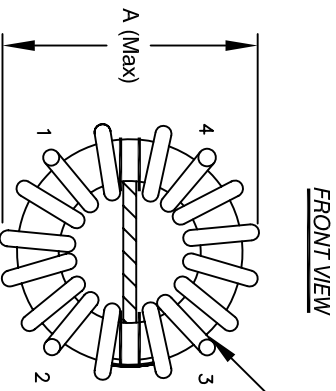
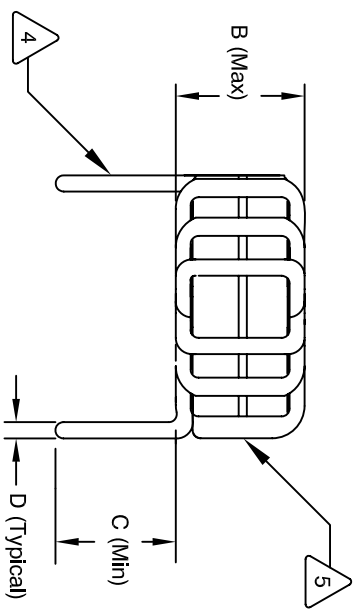


DIMENSIONAL TOLERANCE INCHES [MM]				REVISION HISTORY									
A(OD) Max	B(WIDTH) Max	C(LEAD) Min	D(LEAD DIA) TYP	E (Min/Max)	P1 Ref	P2 Ref	REV	ECN	DESCRIPTION	BY	DATE	CHK	DATE
0.90 [22.79]	0.62 [15.85]	0.50 [12.7]	0.02 [0.50]	0.41 [10.5]	0.75 [19.0]		A-1	1	PRODUCTION RELEASE	RL	7/1/11	JLJU	7/1/11
							A-2		ELECTRICAL SPEC CORRECTION	GN	10/11/11	JLJU	10/11/11

- 6 BUILT TO ROHS COMPLIANCE AND LEAD FREE.
- 5 MARK PART NUMBER AND REVISION.
- 4 TIN LEADS APPROX. 0.5 INCH AND FLUSH WITH THE COIL EDGE.

- 2 WEIGHT = 12.5 GRAMS (TYP)  
 OPERATING TEMP RANGE = -25 °C TO 120°C  
 MAX TEMP RISE = 40 °C  
 INTERWINDING ISOLATION = 2000 VOLTS RMS.  
 DCR ON EACH WINDING = 221 mΩ MAX.  
 SRF = 4.13 MHz  
 RATED VOLTAGE = 250 VAC OR VDC  
 RATED CURRENT = 2 AMPS  
 LEAKAGE INDUCTANCE = 130.9 uH TYP @ 10 KHZ, 1 Vrms.  
 INTERWINDING CAPACITANCE = 0.3 pF TYP @ 10KHZ.  
 IMPEDANCE @ SRF = 1.9 KΩ (TYP)  
 L = 30.0 mH MIN @ 1 KHZ, 1 Vrms, 0 ADC  
 INSULATION RESISTANCE = 100 MEGA-OHMS MIN. @ 500 VDC  
 SPECIFICATIONS AT 25°C:

- 3 WIRE: UL RECOGNIZED 200°C RATED MAGNET WIRE  
 CWS BYTE-MARK OR OTHER APPROVED PART  
 CORE: NANOCRYSTALLINE OR AMORPHOUS CORE
- 2 BOBBIN RATING CLASS B (130°) REQUIRED  
 MATERIAL: UL RECOGNIZED 94V-0 FOR FLAMMABILITY  
 NOTES: UNLESS OTHERWISE SPECIFIED, READ NOTES FROM BOTTOM TO TOP.  
 CAGE CODE = 5DME2



QTY	CODE	MFG. P/N	DESCRIPTION	ITEM NO.
			<b>PARTS LIST</b>	
	AUTOCAD		Coil Winding Specialist Inc.	
	SOLIDWORKS		353 West Grove Ave	
	SIGN		Orange, California. 92865	
	DATE			
	DRWN	RLJU	12/16/10	
	CHKD	AK	12/16/10	
	ENGR	JLJU	12/16/10	
	APPR	JLJU	12/16/10	
	SIZE	B	GN-H-303U-2A	REV
	SCALE	2=1		A.2