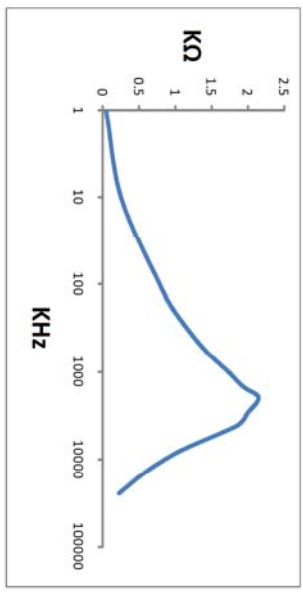
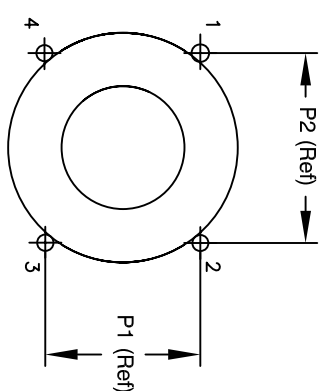
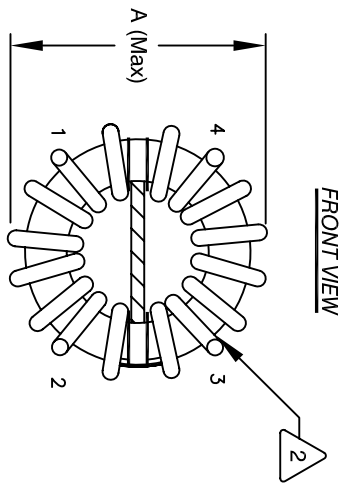
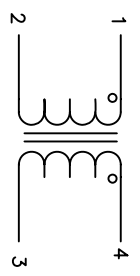
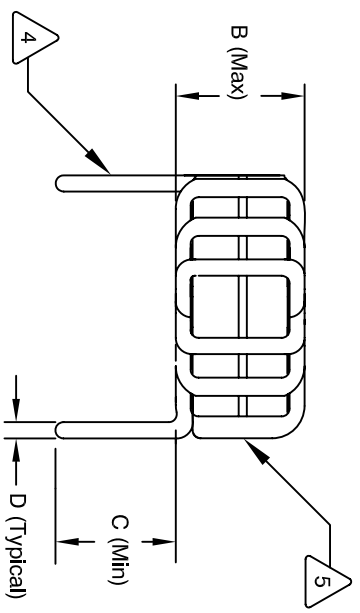


The information contained in this drawing is the sole property of Coil Winding Specialist Inc. (CWS). Any reproduction in part or whole without written permission of CWS is prohibited.



DIMENSIONAL TOLERANCE INCHES [MM]						
A(OD) Max	B(WIDTH) Max	C(LEAD) Min	D(LEAD DIA) Typ	E (Min/Max)	P1 Ref	P2 Ref
0.87 [22.06]	0.59 [15.0]	0.50 [12.7]	0.03 [0.80]		0.41 [10.50]	0.75 [19.00]

REVISION HISTORY		SIGN & DATE	
REV	ECN	DESCRIPTION	DATE
A.1	1	PRODUCTION RELEASE	7/1/11
B	2	PRODUCTION RELEASE	11/23/11
C		MECH. SPEC. CHANGE	11/08/12



- BUILT TO ROHS COMPLIANCE AND LEAD FREE.
- MARK PART NUMBER AND REVISION IF APPLICABLE.
- TIN LEADS APPROX. 0.5 INCH AND FLUSH WITH THE COIL EDGE.
- WEIGHT = 11.0 GRAMS (TYP)

OPERATING TEMP RANGE = -25 °C TO 120°C

MAX TEMP RISE = 40 °C

INTERWINDING ISOLATION = 2000 VOLTS RMS.

DCR ON EACH WINDING = 25.0 mΩ MAX.

SRF = 2.2 MHz NOM

RATED VOLTAGE = 250 VAC OR VDC

RATED CURRENT = 4 AMPS

LEAKAGE INDUCTANCE = 10.5 μH TYP @ 10 KHZ, 1 Vrms.

INTERWINDING CAPACITANCE = 2.6 pF TYP @ 10KHZ.

IMPEDANCE @ SRF = 1.4 kΩ (TYP)

L = 4.0 mH MIN @ 1 KHz, 1 Vrms, 0 ADC

INSULATION RESISTANCE = 100 MEGA-OHMS MIN. @ 500 VDC

SPECIFICATIONS AT 25°C:

- WIRE: UL RECOGNIZED 200°C RATED MAGNET WIRE

CWS BYTE-MARK OR OTHER APPROVED PART

CORE: NANOCRYSTALLINE OR AMORPHOUS CORE
- BOBBIN RATING CLASS B (130°) REQUIRED

MATERIAL: UL RECOGNIZED 94V-0 FOR FLAMMABILITY

NOTES: UNLESS OTHERWISE SPECIFIED, READ NOTES FROM BOTTOM TO TOP.

CAGE CODE = 5DME2

UNLESS OTHERWISE SPECIFIED

DIMENSIONING AND TOLERANCE PER ANSI Y14.5M AND [UNITS/METERS]

TOLERANCE INCHES: .XXX=±.005 .XX=±.015 .X=±.030

TOLERANCE METRICS: .XXX=±.127 .XX=±.38

ANGLE PROJECTION

DO NOT SCALE DRAWING

QTY	CODE IDENT	MFG. P/N	DESCRIPTION	ITEM NO.

REV	DATE	BY	CHK	DATE
A	12/16/10	JLJU		
B	12/16/10	JLJU		

PARTS LIST

www.coilws.com
 sales@coilws.com
 353 West Grove Ave
 Orange, California, 92865

Coil Winding Specialist Inc.

TITLE: Nanocrystalline Inductor
 Common Mode Chokes
 Horizontal Mount

SIZE: B
 Dwg. No. GN-H-502U-4A

SCALE: 2=1

REV: C