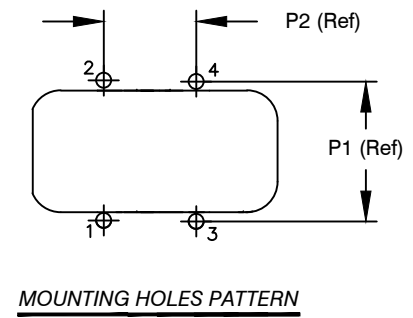
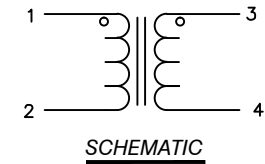
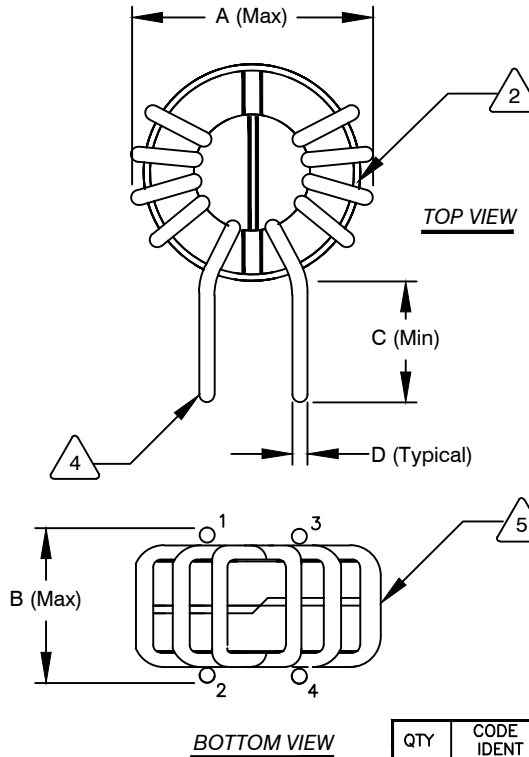
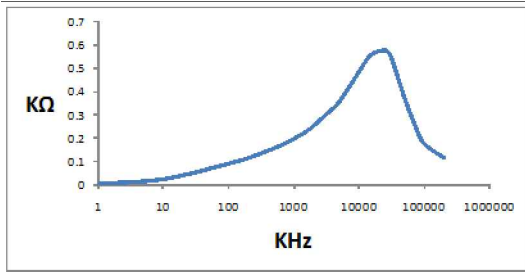


The information contained in this drawing is the sole property of Coil Winding Specialist Inc. (CWS) Any reproduction in part or whole without written permission of CWS is prohibited.

DIMENSIONAL TOLERANCE INCHES [MM]						
A(OD) Max	B(WIDTH) Max	C(LEAD) Min	D(LEAD DIA) TYP	E (Min/Max)	P1 Ref	P2 Ref
0.96 [24.45]	0.71 [17.93]	0.50 [12.7]	0.06 [1.50]		0.49 [12.50]	0.33 [8.30]

REVISION HISTORY						
REV	ECN	DESCRIPTION	SIGN & DATE			
			BY	DATE	CHK	DATE
A.1	1	PRODUCTION RELEASE	RCL	7/1/11	JLAU	7/1/11

**IMPEDANCE**



- 6 BUILT TO RoHS COMPLIANCE AND LEAD FREE.
- 5 MARK PART NUMBER AND REVISION.
- 4 TIN LEADS APPROX. 0.5 INCH AND FLUSH WITH THE COIL EDGE.

WEIGHT = 12.5 GRAMS (TYP)  
 OPERATING TEMP RANGE = -25 °C TO 120°C  
 MAX TEMP RISE = 40 °C  
 INTERWINDING ISOLATION = 2000 VOLTS RMS.  
 DCR ON EACH WINDING = 2.7 mΩ MAX.  
 SRF = 22 MHz  
 RATED VOLTAGE = 250 VAC OR VDC  
 RATED CURRENT = 10 AMPS  
 LEAKAGE INDUCTANCE = 1.0 uH TYP @ 10 KHz, 1 Vrms.  
 INTERWINDING CAPACITANCE= 0.24 pF TYP @ 100KHz.  
 IMPEDANCE @ SRF = 373.6 Ω (TYP)  
 L = 0.25 mH MIN @ 1 KHz, 1 Vrms, 0 ADC  
 INSULATION RESISTANCE = 100 MEGA-OHMS MIN. @ 500 VDC

- 3 SPECIFICATIONS AT 25°C:
  - WIRE: UL RECOGNIZED 200°C RATED MAGNET WIRE
  - CWS BYTEMARK OR OTHER APPROVED PART
  - CORE: NANOCRYSTALLINE OR AMORPHOUS CORE
  - BOBBIN RATING CLASS B (130°) REQUIRED
  - 1 MATERIAL: UL RECOGNIZED 94V-0 FOR FLAMMABILITY
- NOTES: UNLESS OTHERWISE SPECIFIED. READ NOTES FROM BOTTOM TO TOP.  
 CAGE CODE = 5DME2

UNLESS OTHERWISE SPECIFIED  
 DIMENSIONING AND TOLERANCE PER ANSI Y14.5M  
 ALL DIMENSIONS ARE IN INCHES AND [MILLIMETERS].  
 TOLERANCE INCHES:  
 .XXX=±.005 .XX=±.015 <math>\angle</math>=±0°30'  
 TOLERANCE METRICS:  
 .XXX=±.127 .XX=±.38 <math>\angle</math>=±0°30'  
 ANGLE PROJECTION   
 DO NOT SCALE DRAWING

QTY	CODE IDENT	MFG. P/N	DESCRIPTION	ITEM NO.
<b>PARTS LIST</b>				
AUTOCAD		X	<b>www.coilws.com</b> sales@coilws.com	Coil Winding Specialist Inc. 353 West Grove Ave Orange, California. 92865
SOLIDWORKS				
DRAWN	RLAU	12/16/10	TITLE: Nanocrystalline Inductor Common Mode Chokes Horizontal Mount	SIZE DWG. NO. <b>GN-V-251U-10A</b> REV <b>A.1</b>
CHECKED	AK	12/16/10		
ENGR.	JLAU	12/16/10		
APPR.	JLAU	12/16/10		
SCALE		2=1	SHEET 1 OF 1	