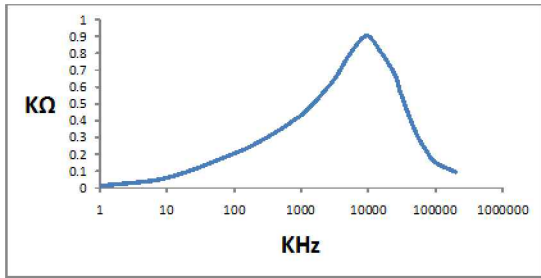


The information contained in this drawing is the sole property of Coil Winding Specialist Inc. (CWS) Any reproduction in part or whole without written permission of CWS is prohibited.

IMPEDANCE



6 BUILT TO RoHS COMPLIANCE AND LEAD FREE.

5 MARK PART NUMBER AND REVISION.

4 TIN LEADS APPROX. 0.5 INCH AND FLUSH WITH THE COIL EDGE.

WEIGHT = 11.0 GRAMS (TYP)
 OPERATING TEMP RANGE = -25 °C TO 120°C
 MAX TEMP RISE = 40 °C
 INTERWINDING ISOLATION = 2000 VOLTS RMS.
 DCR ON EACH WINDING = 5.5 mΩ MAX.
 SRF = 11 MHz
 RATED VOLTAGE = 250 VAC OR VDC
 RATED CURRENT = 6 AMPS
 LEAKAGE INDUCTANCE = 2.1 uH TYP @ 10 KHz, 1 Vrms.
 INTERWINDING CAPACITANCE= 0.42 pF TYP @ 10KHz.
 IMPEDANCE @ SRF = 688.7Ω (TYP)
 L = 0.60 mH MIN @ 1 KHz, 1 Vrms, 0 ADC
 INSULATION RESISTANCE = 100 MEGA-OHMS MIN. @ 500 VDC

3 SPECIFICATIONS AT 25°C:

WIRE: UL RECOGNIZED 200°C RATED MAGNET WIRE
 CWS BYTEMARK OR OTHER APPROVED PART
 CORE: NANOCRYSTALLINE OR AMORPHOUS CORE

BOBBIN RATING CLASS B (130°) REQUIRED
 1 MATERIAL: UL RECOGNIZED 94V-0 FOR FLAMMABILITY

NOTES: UNLESS OTHERWISE SPECIFIED. READ NOTES FROM BOTTOM TO TOP.

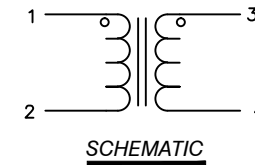
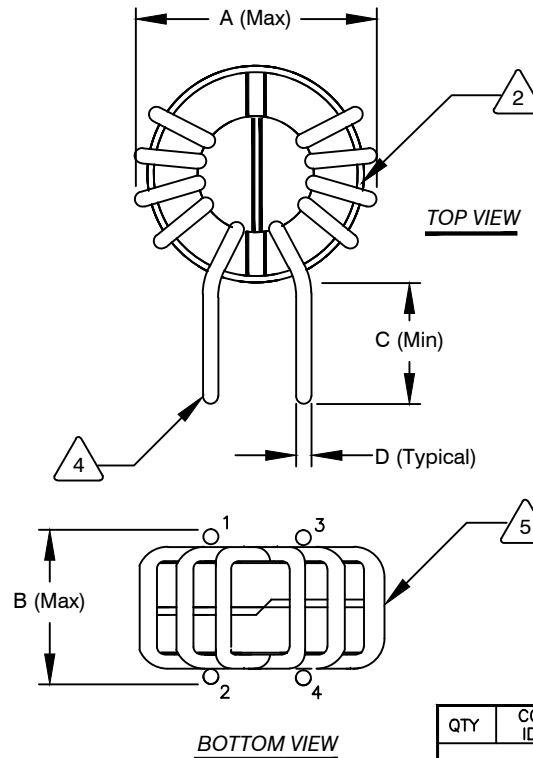
CAGE CODE = 5DME2

DIMENSIONAL TOLERANCE INCHES [MM]

A(OD) Max	B(WIDTH) Max	C(LEAD) Min	D(LEAD DIA) TYP	E (Min/Max)	P1 Ref	P2 Ref
0.93 [23.52]	0.59 [15.06]	0.50 [12.7]	0.05 [1.20]		0.49 [12.50]	0.33 [8.30]

REVISION HISTORY

REV	ECN	DESCRIPTION	SIGN & DATE			
			BY	DATE	CHK	DATE
A.1	1	PRODUCTION RELEASE	RCL	7/1/11	JLAU	7/1/11



MOUNTING HOLES PATTERN

QTY	CODE IDENT	MFG. P/N	DESCRIPTION	ITEM NO.
PARTS LIST				
AUTOCAD	X	www.coilws.com Coil Winding Specialist Inc. 353 West Grove Ave Orange, California. 92865 sales@coilws.com		
SOLIDWORKS				
DRAWN	RLAU	DATE	TITLE: Nanocrystalline Inductor Common Mode Chokes Horizontal Mount	
CHECKED	AK	12/16/10		
ENGR.	JLAU	12/16/10		
APPR.	JLAU	12/16/10		
SIZE		DWG. NO.		REV
B		GN-V-601U-6A		A.1
SCALE		SHEET 1 OF 1		
2=1				

UNLESS OTHERWISE SPECIFIED
 DIMENSIONING AND TOLERANCE PER ANSI Y14.5M
 ALL DIMENSIONS ARE IN INCHES AND [MILLIMETERS].
 TOLERANCE INCHES:
 .XXX=±.005 .XX=±.015 \angle=±0°30'
 TOLERANCE METRICS:
 .XXX=±.127 .XX=±.38 \angle=±0°30'
 ANGLE PROJECTION
 DO NOT SCALE DRAWING