

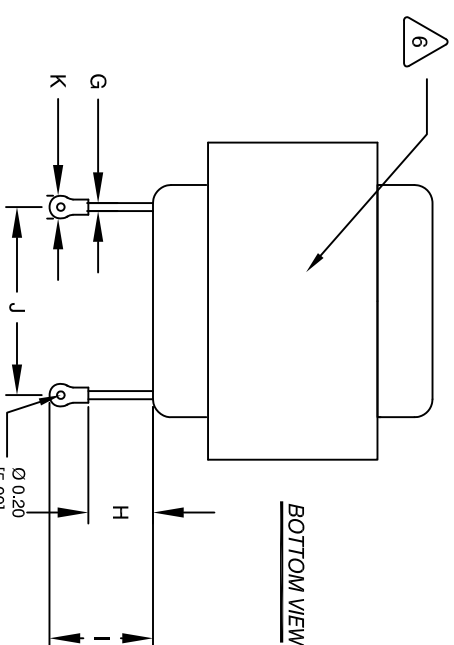
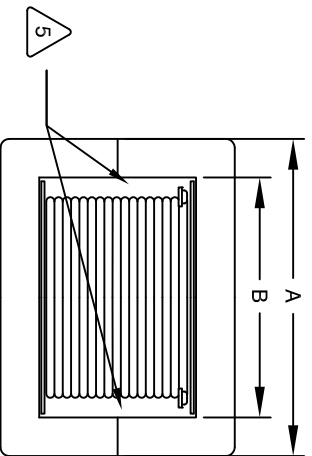
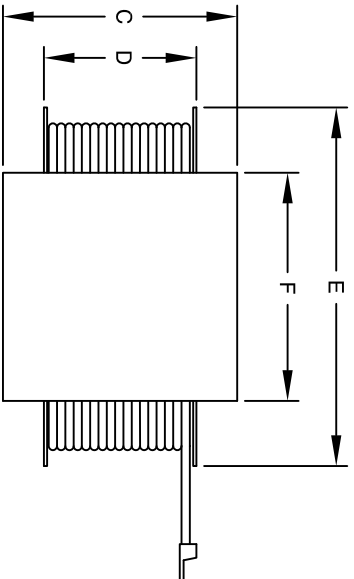
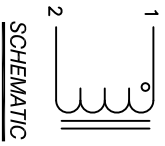
DIMENSIONAL TOLERANCES INCHES [MM]

A	B	C	D	E	F	G	H	I	J	K
MAX	MAX	MAX	MAX	MAX	MAX	REF	MIN	MIN	REF	REF
4.60 [117.500]	3.15 [80.00]	3.74 [95.00]	3.36 [80.00]	4.53 [115.00]	2.83 [72.00]	0.09 [2.30]	0.80 [20.32]	1.60 [40.64]	2.80 [66.00]	0.47 [11.90]

REVISION HISTORY

REV	ECN	DESCRIPTION	DATE
A		PRODUCTION RELEASE	06/29/17

DC-BIAS	L
0A	14.0 mH
5A	10.2 mH
10A	6.7 mH
15A	5.2 mH
20A	4.6 mH
25A	4.0 mH
30A	3.7 mH



- 8 APPLICATION: OUTPUT CHOKE, HIGH DC-BIAS INDUCTOR, INPUT FILTER
- 7 BUILT TO RoHS COMPLIANCE
- 6 MARK PART NUMBER AND REVISION WHERE SHOWN
- 5 VARNISH PART AND CURE
APPLY SILICON WHERE SHOWN
- 4 WRAP TAPE AROUND CORES
CONSTRUCTION

- WEIGHT: 4.85 KILOGRAMS (TYP)
- RECOMMENDED OPERATING FREQUENCY: 60HZ TO 500KHZ
- RECOMMENDED AMBIENT OPERATING TEMP: -40°C TO 85°C AT 55 °C
- H-POT TEST FOR WINDING TO CORE ISOLATION. 1000VDC @ 2mA, 1 MIN
- INTERWINDING CAPACITANCE @ SRF = 176 pF (TYP)
- |z|@SRF = 125 KΩ (TYP)
- SRF = 101.8 KHZ (TYP)
- RATED CURRENT: 30 AMPS
- DCR = 225 MILLI-OHM MAX.
- L = 14 mH NOM. ±15%, MEASURED AT 1 KHZ, 0.25V, ZERO DC BIAS
- SPECIFICATIONS:

- 1 WIRE: UL RECOGNIZED 200°C RATED MAGNET WIRE
- 2 CORE: COMPACTED POWDERED CORE
- INSULATION CLASS 200°C REQUIRED
- MATERIAL: UL RECOGNIZED 94V-0 FOR FLAMMABILITY

NOTES: UNLESS OTHERWISE SPECIFIED, READ FROM BOTTOM UP.

CAGE CODE: 5DME2

FRONT VIEW

SIDE VIEW

BOTTOM VIEW

PARTS LIST

QTY	CODE IDENT	MFG. P/N	DESCRIPTION	ITEM NO.

AUTOCAD SOLIDWORKS SIGN	X			
DATE	06/29/17			
DATE	06/29/17			
DATE	06/29/17			
DATE	06/29/17			
DATE	06/29/17			
DATE	06/29/17			
DATE	06/29/17			
DATE	06/29/17			

UNLESS OTHERWISE SPECIFIED	
DIMENSIONING AND TOLERANCE PER ANSI Y14.5M	
ALL DIMENSIONS ARE IN INCHES AND [MILLIMETERS].	
TOLERANCE INCHES: .XX±.010 .X±.020 .XXX±.0254 .XX±.51	
TOLERANCE METRICS: .X±.030° .XX±.254 .XX±.51	
ANGLE PROJECTION	
DO NOT SCALE DRAWING	

www.coilws.com	Coil Winding Specialist, Inc.
sales@coilws.com	353 W. GROVE AVE
	ORANGE, CA 92665

TITLE:	High Inductance Inductor
	High Frequency Inductor
	14,000 uH, 30 Amps
SIZE Dwg. NO.	HCS - 143M - 30A
SCALE	NOT TO SCALE
SHEET	1 OF 1