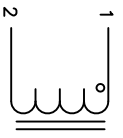


The information contained in this drawing is the sole property of Coil Winding Specialist, Inc. Any reproduction in part or whole without written permission of Coil Winding Specialist, Inc. is prohibited.



SCHEMATIC

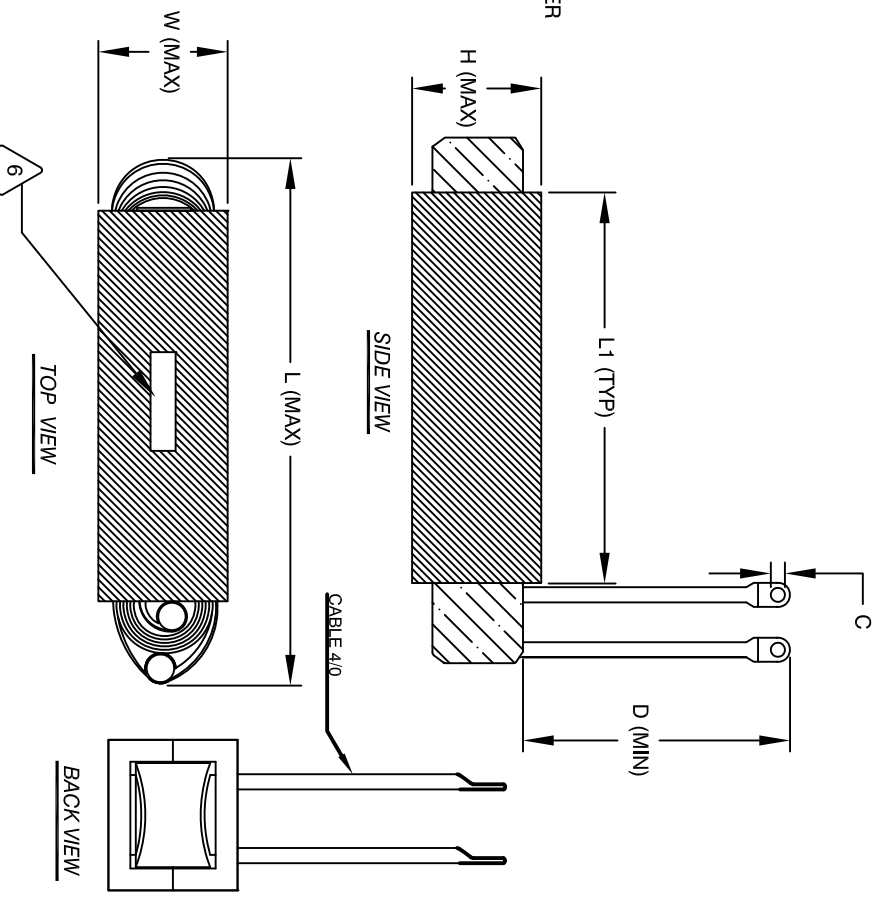
- 8 APPLICATION: OUTPUT CHOKE, HIGH CURRENT INDUCTOR, INPUT FILTER
- 7 BUILT TO ROHS COMPLIANCE AND LEAD FREE.
- 6 LABEL PART NUMBER, REVISION AND DATE CODE WHERE SHOWN

- 5 VARNISH AND CURE
- 4 APPLY SILICONE WRAP TAPE AROUND CORES WITH CORES AND INSULATOR PRE FORMED FLAT COPPER SHEETS
- 3 CONSTRUCTION:

- 2 WEIGHT: 30 LBS TYP
- 1 RECOMMENDED OPERATING FREQUENCY: 60HZ TO 500KHZ
- RECOMMENDED AMBIENT OPERATING TEMP: -40°C TO 105°C
- H-I-POT TEST FROM WINDING TO CORE 1000VDC @ 2mA, 1 MIN
- INTERWINDING CAPACITANCE = 148pF TYP @ SRF
- |Z| = 525 OHMS TYP @ SRF
- SRF = 2.89 MHz TYP
- RATED CURRENT: 180 AMPS
- DCR = 0.65 MILLIOHMS MAX
- DC BIAS: SEE TABLE ON THE RIGHT
- L = 28uH ± 12%, MEASURED @ 1 KHZ, 0.25V, ZERO DC BIAS
- SPECIFICATIONS:

- 3 VARNISH
- 2 SILICONE DOW CORNING OR EQUAL
- 1 OUTER WRAP: 3M GLASS OR EQUAL
- CORE: COMPACTED POWDERED CORE
- MATERIAL: UL RECOGNIZED

NOTES: UNLESS OTHERWISE SPECIFIED, READ NOTE FROM BOTTOM UP.  
CAGE CODE: 5DME2



**DIMENSIONS AND TOLERANCE**

	mm	inch
C	12.7 (TYP)	0.50 (TYP)
D	304.8(MIN)	12.00 (MIN)
L1	279.4 (TYP)	11.00 (TYP)
L	393.7 (MAX)	15.5 (MAX)
W	118.1 (MAX)	4.65 (MAX)
H	96.5 (MAX)	3.80 (MAX)

**DC BIAS TABLE**

DC-BIAS	L
0A	26uH
20A	26uH
40A	26uH
60A	26uH
80A	26uH
100A	24uH
120A	22uH
140A	21uH
160A	20uH
180A	19uH

UNLESS OTHERWISE SPECIFIED		AUTOCAD		X	
DIMENSIONING AND TOLERANCE PER ANSI Y14.5M AND [DIMETERS].		SOLIDWORKS		SIGN	
TOLERANCE INCHES: .XXX±.010 .XX±.020 TOLERANCE METRICS: .XXX±.254 .XX±.51		DRAWN		DATE	
ANGLE PROJECTION		ENGR.		DATE	
DO NOT SCALE DRAWING		APPR.		DATE	
		SCALE		SHEET 1 OF 1	

REVISION HISTORY		SIGN & DATE	
REV	ECN	BY	DATE
A		TN	01/25/19
DESCRIPTION		CHK	DATE
PRODUCTION RELEASE		JL	01/25/19

PARTS LIST		www.coilws.com		Coil Winding Specialist, Inc.	
TITLE:		353 W. GROVE AVE		ORANGE, CA 92665	
High Current Inductor					
High Frequency Inductor					
28 uH, 180 Amps					
SIZE DWG. NO.		HCS-280M-180A		REV	
SCALE		NOT TO SCALE		A	