

SCHEMATIC

DIMENSIONAL TOLERANCES INCHES (MM)									
C	D	E	F	L	L1	W	H		
TYP	MIN	TYP	TYP	MAX	TYP	MAX	MAX		
0.385 [9.80]	5.50 [139.70]	1.50 [38.10]	0.25 [6.30]	19.50 [495.30]	15.00 [381.00]	4.50 [114.30]	4.00 [101.60]		

REVISION HISTORY				SIGN & DATE		
REV	ECN	DESCRIPTION	BY	DATE	CHK	DATE
B		REVISED L DIM	TN	11/18/21	JL	11/18/21
B1		REVISED SPEC. AND DESCRIPTION	TN	03/27/23	JL	03/27/23

DC BIAS TABLE

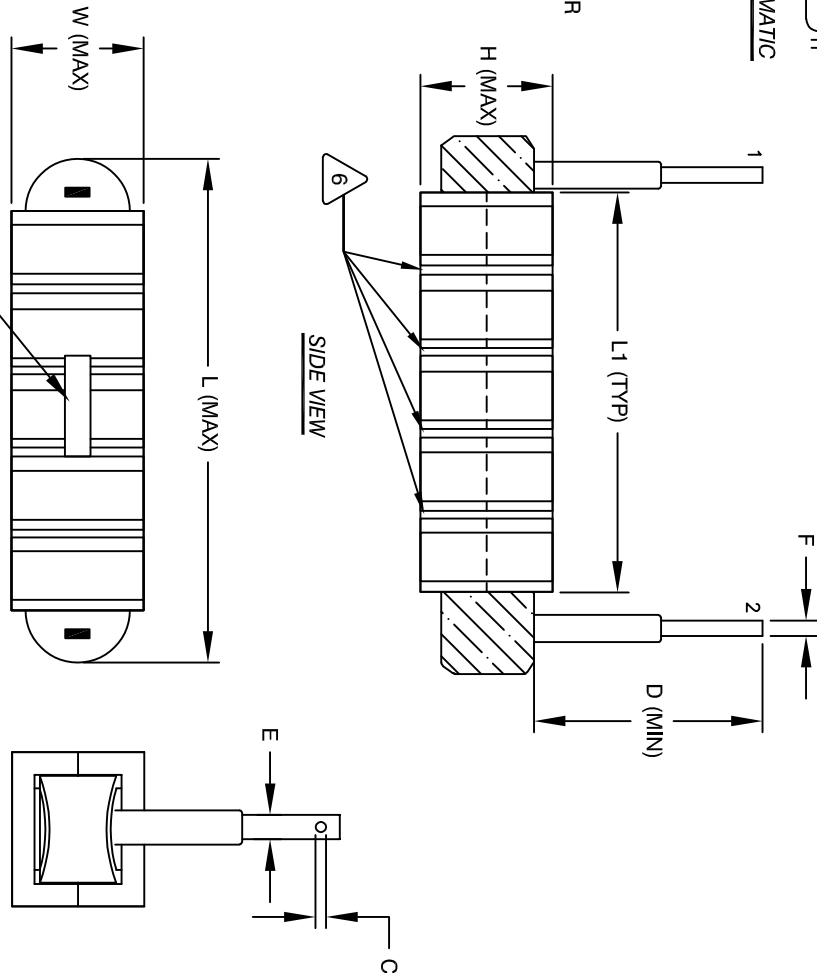
DC-BIAS (AMP)	L @ 1KHz (REF)
0A	600uH
20A	596uH
40A	526uH
60A	457uH
80A	400uH
100A	429uH
125A	416uH
150A	403uH
175A	385uH
200A	357uH
225A	321uH
250A	308uH
275A	281uH
300A	274uH
325A	267uH
350A	256uH
375A	244uH
400A	231uH
425A	203uH
450A	182uH
475A	175uH
500A	152uH

- 9 APPLICATION: OUTPUT CHOKE, HIGH CURRENT INDUCTOR, INPUT FILTER
- 8 BUILT TO ROHS COMPLIANCE
- 7 LABEL PART NUMBER AND REVISION WHERE SHOWN
- 6 VARNISH PART AND OVEN CURE
- 5 INSTALL SPACERS (X8) WHERE SHOWN
- 4 APPLY SILICONE AS REQUIRED
- 3 WRAP TAPE AROUND CORES WITH CORES AND NOMEX PRE FORMED FLAT COPPER FOIL CONSTRUCTION:
- 2 WEIGHT: 52 LBS TYP
- 1 RECOMMENDED OPERATING FREQUENCY: 60HZ TO 500KHZ

- 2 RECOMMENDED AMBIENT OPERATING TEMP: -40°C TO 105°C
- 1 HI-POT TEST FROM WINDING TO CORE 1000VDC @ 2mA, 1 MIN INTERWINDING CAPACITANCE = 262pF TYP @ SRF
- 1 |Z1 = 8 KILLO-OHMS TYP @ SRF
- 1 SRF = 400 KHZ TYPICAL
- 1 RATED CURRENT: 500 AMPS, APPROPRIATE AIR FLOW NEEDED.
- 1 DCR = 4.5 MILLI-OHMS MAX.
- 1 L@DC BIAS: SEE TABLE ON THE RIGHT.
- 1 INDUCTANCE: 600uH ± 10%, MEASURED AT 1 KHZ, 0.25V, ZERO DC BIAS SPECIFICATIONS @ 25°C:
- 1 BAKE VARNISH
- 1 SILICONE DOW CORNING OR EQUAL
- 1 OUTER WRAP: KAPTON TAPE
- 1 CORE: COMPACTED POWDERED CORE
- 1 MATERIAL: UL RECOGNIZED

ANY TOLERANCE. THIS DIM. CAN VARY A LITTLE FROM PART TO PART.
 "TYP" IN DIM. TABLE REFERS TO A NON-CRITICAL TYPICAL (AVERAGE) DIM. WITHOUT

NOTES: UNLESS OTHERWISE SPECIFIED, READ FROM BOTTOM UP.
 CAGE CODE: 5DME2



PARTS LIST

UNLESS OTHERWISE SPECIFIED		AUTOCAD		X	
DIMENSIONING AND TOLERANCE PER ANSI Y14.5M		SOLIDWORKS			
ALL DIMENSIONS ARE IN INCHES AND [MILLIMETERS]		SIGN		DATE	
TOLERANCE INCHES: .XXX=±.010 .XX=±.020 .X=±.030		DRAWN		02/26/21	
TOLERANCE METRICS: .XX=±.254 .X=±.51		CHECKD		02/26/21	
ANGLE PROJECTION		ENGR		02/26/21	
DO NOT SCALE DRAWING		APPR		JL	
		SCALE		NOT_TO_SCALE	
		SHEET		1 OF 1	

High Current Inductor
 High Frequency Inductor
 600 uH, 500 Amps

HCS-601M-500AG

www.coilw.com
 sales@coilw.com
 Coil Winding Specialist, Inc.
 353 W GROVE AVE
 ORANGE, CA 92665