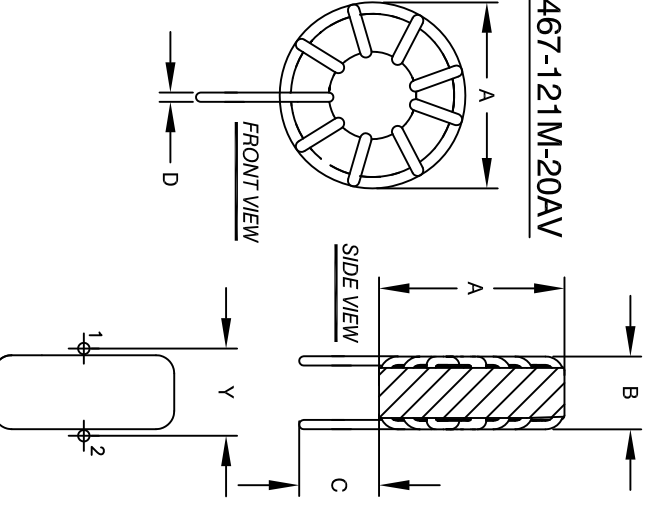
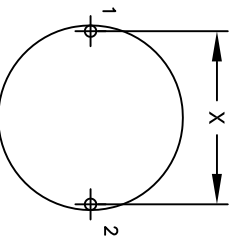
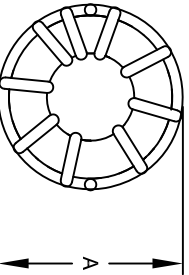
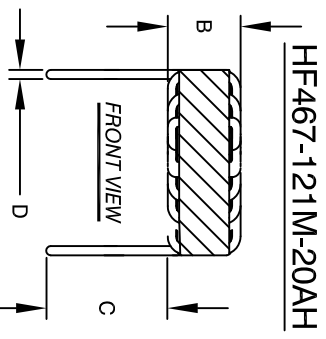
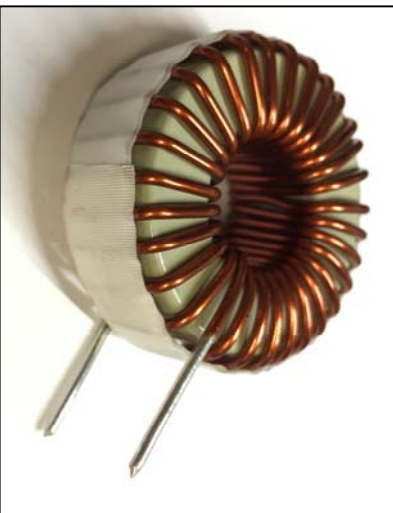


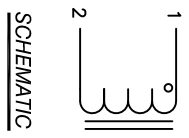
The information contained in this drawing is the sole property of CWS Coil Winding Specialist. Any reproduction in part or whole without written permission of CWS Coil Winding Specialist is prohibited.



DIMENSIONAL TOLERANCES INCHES [MM]					
A	B	C	D	X	Y
MAX	MAX	MIN	REF	REF	REF
2.165 [55.0]	1.0 [25.4]	.75 [19.05]	.08 [2.0]	2.0 [51.0]	.950 [24.00]

REVISION HISTORY		SIGN & DATE	
REV	ECN	BY	DATE
A	PRODUCTION RELEASE	CN	07/23/09 AM

- BUILT TO ROHS COMPLIANCE.
  - IF APPLICABLE, LABEL PART NUMBER AND REVISION
  - POSITION LEADS AS REQUIRED  
REMOVE WIRE INSULATION AND TIN  
WIND COILS EVENLY SPACED  
CONSTRUCTION:
  - WEIGHT: ~215 GRAMS
  - HIPOT WINDING-TO-CORE 1250 V AC, 10 SEC  
INTERWINDING CAPACITANCE 9.1pF TYPICAL @ SRF  
DCR = 14mΩ MAX  
SRF ~ 5000kHz TYPICAL  
MAX TEMP. RISE @ IDC 20 AMP, LESS THAN 50°C WITH NO AIRFLOW  
DC BIASED = 20 AMPS, INDUCTANCE = 106 UH  
DC BIASED = 10 AMPS, INDUCTANCE = 118 UH  
INDUCTANCE @ 0 AMP = 120uH±15% (LESS THAN 10% RIPPLE)  
TEST FREQUENCY: 1.0 KHZ; TEST VOLTAGE: 250mV  
RATED MAX. CURRENT = 20 AMPS RMS; FREQUENCY: 1KHz  
OPERATING TEMPERATURE RANGE : -40° TO 180°C  
SPECIFICATIONS @ 25°C
  - WIRE: UL RATED CLASS 200°C  
CORE: HIGH TEMP POWDERED CORE
  - RATING UL-CLASS H (180°C) REQUIRED  
MATERIAL: UL RECOGNIZED FLAMMABILITY
- NOTES: UNLESS OTHERWISE SPECIFIED, READ NOTES FROM BOTTOM TO UP.



CODE IDENT	MFG. P/N	DESCRIPTION	ITEM NO.
		<b>PARTS LIST</b>	
AUTOCAD	X		
SOLIDWORKS			
DRAWN	07/23/09	CWS Coil Winding Specialist.	
CHECKED	07/23/09	353 W Grove Ave	
ENGR.	07/23/09	Orange, CA 92865	
APPR.	7/23/09		
TITLE:		Toroidal Power Inductor	
SIZE [UNC. MD.]		HF467-121M-20A	
SCALE		NOT TO SCALE	
DO NOT SCALE DRAWING			