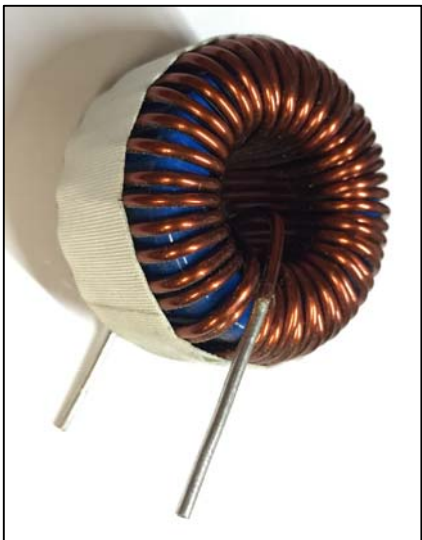


The information contained in this drawing is the sole property of CWS Coil Winding Specialist. Any reproduction in part or whole without written permission of CWS Coil Winding Specialist is prohibited.

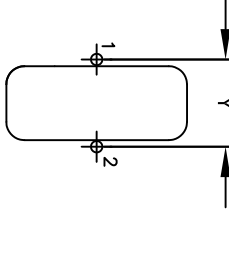
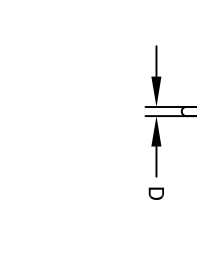
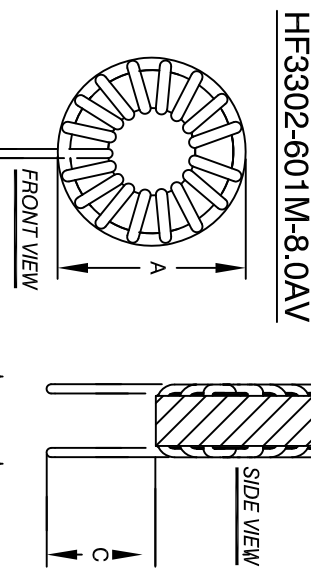
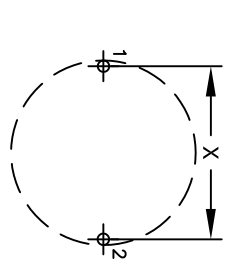
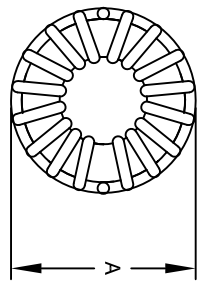
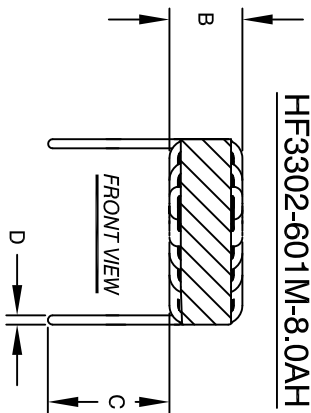


- 7 BUILT TO ROHS COMPLIANCE.
- 6 IF APPLICABLE, LABEL PART NUMBER AND REVISION
POSITION LEADS AS REQUIRED
REMOVE WIRE INSULATION AND TIN
WIND COILS EVENLY SPACED
CONSTRUCTION:
- 5 WEIGHT: ~135 GRAMS
- 4 HI-POT WINDING-TO-CORE 1250 V AC, 10 SEC
INTERWINDING CAPACITANCE 43pF TYPICAL @ SRF
DCR = 40mΩ MAX
SRF ~ 986.3kHz TYPICAL
MAX TEMP. RISE @ IDC 8 AMP, LESS THAN 50°C WITH NO AIRFLOW
DC BIASED = 5.0 AMPS, INDUCTANCE = 420 UH
DC BIASED = 8.0 AMPS, INDUCTANCE = 320 UH
INDUCTANCE @ 0 AMP = 600UH±15% (LESS THAN 10% RIPPLE)
TEST FREQUENCY: 1.0 KHZ ; TEST VOLTAGE: 250mV
RATED MAX. CURRENT = 8 AMPS RMS ; FREQUENCY: 1KHZ
OPERATING TEMPERATURE RANGE : -40° TO 180°C
SPECIFICATIONS @ 25°C
- 3 WIRE: UL RATED CLASS 200°C
CORE: HIGH TEMP POWDERED CORE
- 2 RATING: UL-CLASS H (180°C) REQUIRED
- 1 MATERIAL: UL RECOGNIZED FLAMMABILITY

NOTES: UNLESS OTHERWISE SPECIFIED, READ NOTES FROM BOTTOM TO UP.

DIMENSIONAL TOLERANCES INCHES (MM)									
A	B	C	D	X	Y	REF	REF	REF	REF
MAX 1.60 [40.64]	MAX 1.20 [30.48]	MIN .75 [19.05]	REF .06 [1.52]	REF 1.50 [38.1]	REF 1.10 [27.94]				

REVISION HISTORY			
REV	ECN	DESCRIPTION	DATE
A		PRODUCTION RELEASE	7/22/08



UNLESS OTHERWISE SPECIFIED			
DIMENSIONING AND TOLERANCE PER ANSI Y14.5M AND (DIMENSIONS ARE IN INCHES AND (DIMETERS))			
TOLERANCE INCHES: ϕ = ±0.30°			
XXX = ±.005 XX = ±.015			
TOLERANCE METRICS: ϕ = ±0.30°			
XXX = ±.127 XX = ±.38			
ANGLE PROJECTION			
DO NOT SCALE DRAWING			

CODE IDENT	MFG. P/N	DESCRIPTION	ITEM NO.
AUTOCAD	X		
SOLIDWORKS			
DRAWN	7/21/08		
CHECKED	7/21/08		
ENGR.	7/21/08		
APPR.	7/21/08		

SIZE	SCALE	DATE	REV
B	2=1	7/22/08	A