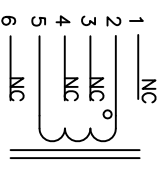


The information contained in this drawing is the sole property of CMS Coil Winding Specialist. Any reproduction in part or whole without written permission of CMS Coil Winding Specialist is prohibited.

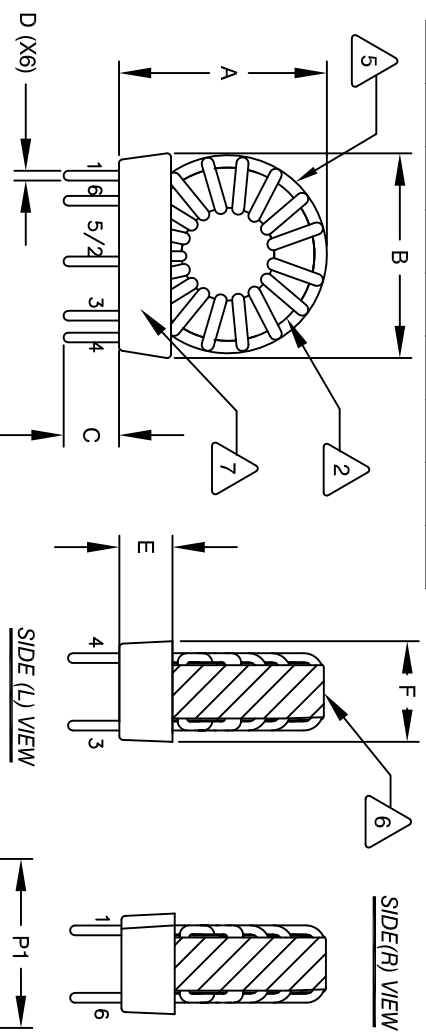


SCHEMATIC

- 8 BUILD TO ROHS COMPLIANCE AND LEAD FREE
- 7 ENCAPSULATE WOUND INDUCTOR WITH MACROCAST
- 6 MARK PART NUMBER, REVISION AND DATE CODE
- 5 WRAP INDUCTOR WITH GLASS TAPE
- 4 CONSTRUCTION:
WEIGHT = 97 GRAMS
OPERATING TEMP RANGE = -25°C TO 120°C
MAXIMUM TEMPERATURE RISE = 40°C WITH SOME AIRFLOW
SRF = 883 KHZ TYP
INTERWINDING CAPACITANCE = 56pF TYP @ SRF
IMPEDANCE = 16 KILO-OHMS TYP @ SRF
Ls @ DC BIAS: SEE TABLE ON THE RIGHT
CURRENT RATING = 8.0 AMPS
DCR = 40.0 MILLIOHMS MAX
INDUCTANCE = 600 uH ± 15% @ 1 KHZ, 250mV
SPECIFICATIONS @ 25°C
- 3 MACROCAST P/N CR 6127 B2 WHITE. UL94V-0
WIRE: CLASS 200°C RATED
CORE: POWDERED TOROIDAL CORE
- 2 RATING CLASS H (180°C MINIMUM) REQUIRED
MATERIAL: UL RECOGNIZED FOR FLAMMABILITY
- 1 MATERIAL: UL RECOGNIZED FOR FLAMMABILITY

DIMENSIONAL TOLERANCES INCHES [MM]

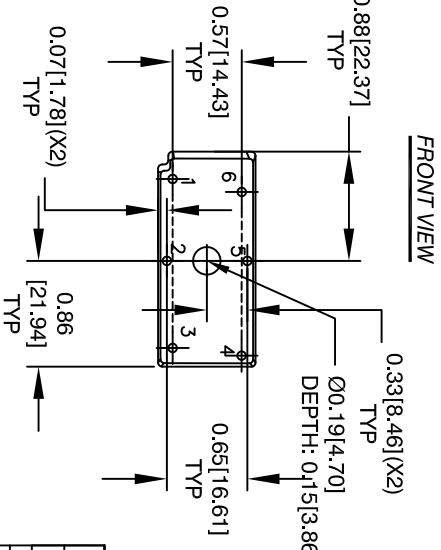
A	B	C	D	E	F	P	P1	P2
MAX	TYP	MIN	REF	TYP	TYP	REF	REF	REF
1.78 [45.20]	1.78 [45.20]	0.50 [12.70]	0.06 [1.57]	0.58 [14.82]	0.85 [21.55]	0.56 [14.18]	1.22 [30.89]	1.36 [34.64]



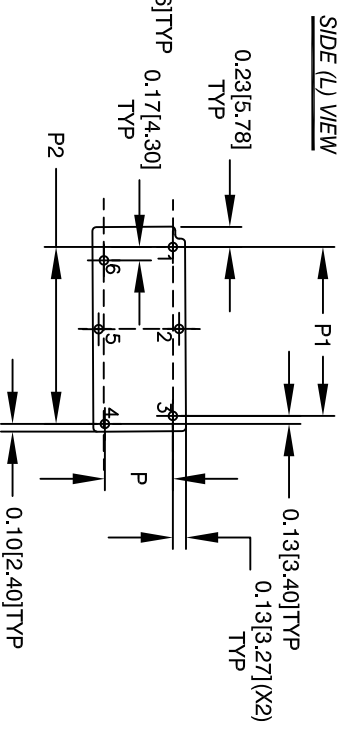
DC BIAS TABLE

DC BIAS (AMP)	Ls@1KHz (REF)
0	613 uH
2	583 uH
4	524 uH
6	448 uH
8	364 uH
10	282 uH

BOTTOM VIEW



MOUNTING HOLES PATTERN



REVISION HISTORY		SIGN & DATE	
REV	ECN	CHK	DATE
A		JL	11/23/2020
A1		JL	11/23/2020

REV	ECN	DESCRIPTION	BR	DATE
A		PRE-PRODUCTION RELEASE	TN	11/23/2020
		REVISED DESCRIPTION & P, P2, P2 DIM	TN	04/19/21
			JL	04/19/21

CODE IDENT	MFG. P/N	DESCRIPTION	ITEM NO.
PARTS LIST			
AUTOCAD SOLIDWORKS	X	CMS Coil Winding Specialist 353 W. Grove Avenue Orange, CA 92665	
DATE	DATE	TITLE:	
11/23/2020	11/23/2020	Toroidal Power Chokes, 600uH	
DRWN	CHKD	ENGR	APPR
TN	JL	JL	JL
11/23/2020	11/23/2020	11/23/2020	11/23/2020
DIMENSIONING AND TOLERANCE PER ANSI Y14.5M AND [MILLIMETERS].		TOLERANCE INCHES: ϕ = ±0.30'	
ALL DIMENSIONS ARE IN INCHES		XXX±.005 XX±.015	
TOLERANCE METRICS: ϕ = ±0.30'		XXX±.127 XX±.38	
UNLESS OTHERWISE SPECIFIED		ANGLE PROJECTION ϕ	
DO NOT SCALE DRAWING			
SIZE	DWG. NO.	SCALE	SHEET 1 OF 1
B	HF358-601M-8AV-P	NOT TO SCALE	
REV	A1		