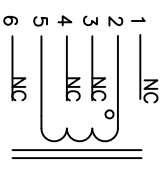


The information contained in this drawing is the sole property of CMS Coil Winding Specialist. Any reproduction in part or whole without written permission of CMS Coil Winding Specialist is prohibited.



**SCHEMATIC**

- 1 BUILD TO ROHS COMPLIANCE AND LEAD FREE
- 2 POLYSILOXANE POTTING COMPOUND
- 3 ENCAPSULATE WOUND INDUCTOR WITH
- 4 MARK PART NUMBER, REVISION AND DATE CODE
- 5 WRAP INDUCTOR WITH GLASS TAPE
- 6 CONSTRUCTION:
- 7 WEIGHT = 97 GRAMS
- 8 OPERATING TEMP RANGE = -25°C TO 120°C

- 1 MAXIMUM TEMPERATURE RISE = 40°C WITH SOME AIRFLOW
- 2 SRF = 883 KHZ TYP
- 3 INTERWINDING CAPACITANCE = 56pF TYP @ SRF
- 4 IMPEDANCE = 16 KIL-OHMS TYP @ SRF
- 5 Ls @ DC BIAS: SEE TABLE ON THE RIGHT
- 6 CURRENT RATING = 8.0 AMPS
- 7 DCR = 40.0 MILLI-OHMS MAX
- 8 INDUCTANCE = 600 uH ± 15% @ 1 KHZ, 250mV
- 9 SPECIFICATIONS @ 25°C:
- 10 POLYSILOXANE POTTING COMPOUND UL # E306078
- 11 WIRE: CLASS 200°C RATED
- 12 CORE: POWDERED TOROIDAL CORE
- 13 RATING CLASS H (180°C MINIMUM) REQUIRED
- 14 MATERIAL: UL RECOGNIZED FOR FLAMMABILITY

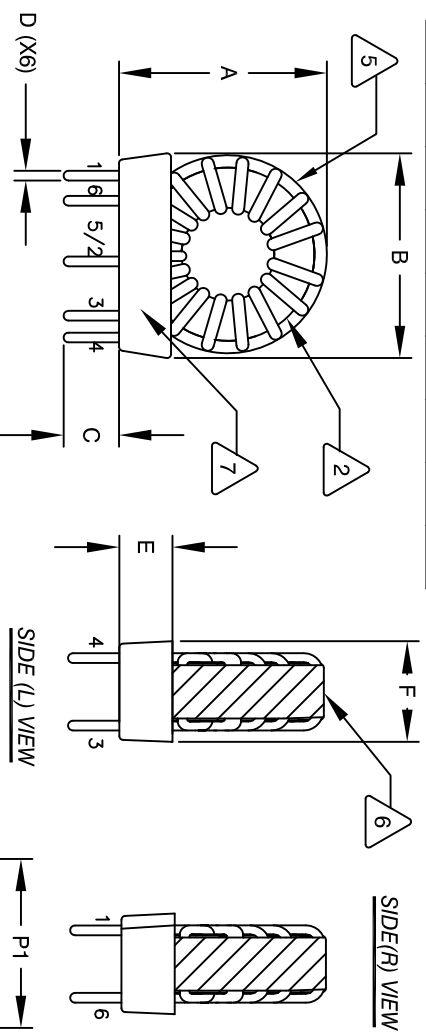
ANY TOLERANCE, THIS DIM. CAN VARY A LITTLE FROM PART TO PART.  
 "TYP" IN DIM. TABLE REFERS TO A NON-CRITICAL TYPICAL (AVERAGE) DIM. WITHOUT  
 NOTES: UNLESS OTHERWISE SPECIFIED, READ FROM BOTTOM UP.

**DIMENSIONAL TOLERANCES INCHES [MM]**

A	B	C	D	E	F	P	P1	P2
MAX	TYP	MIN	REF	TYP	TYP	REF	REF	REF
1.78 [45.20]	1.78 [45.20]	0.42 [10.70]	0.06 [1.57]	0.58 [14.82]	0.85 [21.55]	0.56 [14.18]	1.22 [30.93]	1.36 [34.64]

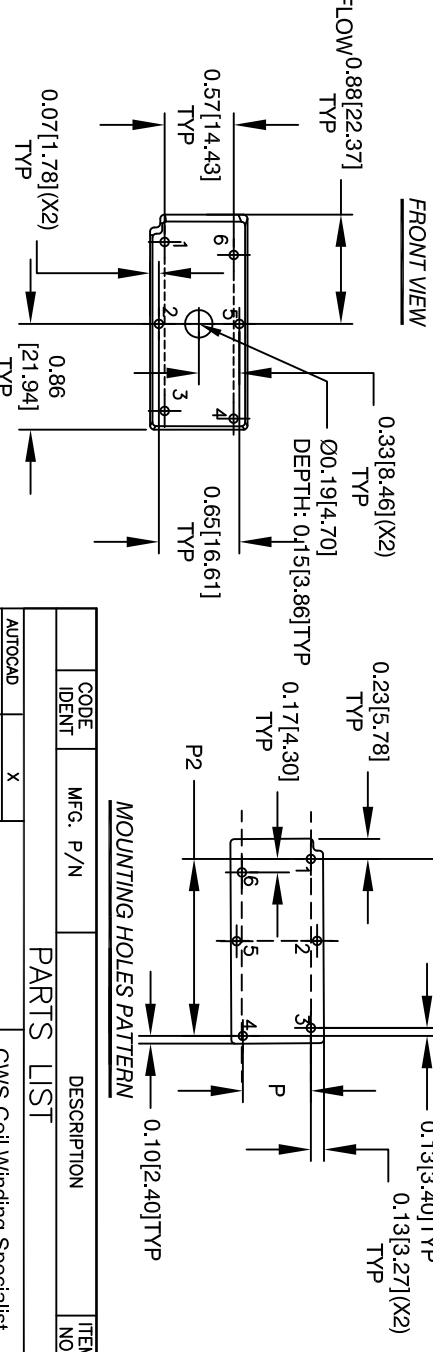
**REVISION HISTORY**

REV	ECN	DESCRIPTION	BR	DATE	CHK	DATE
A		PRE-PRODUCTION RELEASE	TN	04/20/21	JL	04/20/21



**DC BIAS TABLE**

DC BIAS (AMP)	Ls@1KHz (REF)
0	613 uH
2	583 uH
4	524 uH
6	448 uH
8	364 uH
10	282 uH



UNLESS OTHERWISE SPECIFIED  
 DIMENSIONING AND TOLERANCE PER ANSI Y14.5M AND [DIMETERS]  
 TOLERANCE INCHES: .XXX±.005 .XX±.015 .X±.030  
 TOLERANCE METRICS: .XXX±.127 .XX±.38 .X±.10  
 ANGLE PROJECTION  
 DO NOT SCALE DRAWING

**PARTS LIST**

CODE IDENT	MFG. P/N	DESCRIPTION	ITEM NO.
AUTOCAD SOLIDWORKS	X		
DRWING	TN	DATE	
ENGR	JL	04/20/21	
APPR	JL	04/20/21	

**Toroidal Power Chokes, 600uH**

**CMS Coil Winding Specialist**  
 353 W. Grove Avenue  
 Orange, CA 92665

**COWLS COM, INC**  
 WWW.COWLS.COM

**SIZE** Dwg. No. **B** HF358-601M-8AV-S **REV** A

**SCALE** NOT TO SCALE **SHEET** 1 OF 1