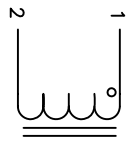


The information contained in this drawing is the sole property of Coil Winding Specialist, Inc. Any reproduction in part or whole without written permission of Coil Winding Specialist is prohibited.



SCHEMATIC

DC Bias	
0 Amp	613 uH
2 Amp	583 uH
4 Amp	524 uH
6 Amp	448 uH
8 Amp	364 uH
10 Amp	282 uH

6 USING A PERMANENT MARKING METHOD MARK PART NUMBER AND REVISION, IF APPLICABLE IF NEEDED, WRAP INDUCTOR WITH GLASS TAPE

5 TO THE CORE MUST REST FLAT ON PCB, LEADS MUST BE TANGENT FLUSH WITH THE COIL EDGE, AS SHOWN (I.E. COIL REMOVE INSULATION AND TIN LEADS 0.5 INCH

4 WIND COILS EVENLY SPACED AROUND THE CORE CONSTRUCTION: WEIGHT = 94.5 GRAMS OPERATING TEMP RANGE = -25°C TO 120°C MAX. TEMPERATURE RISE = 40°C

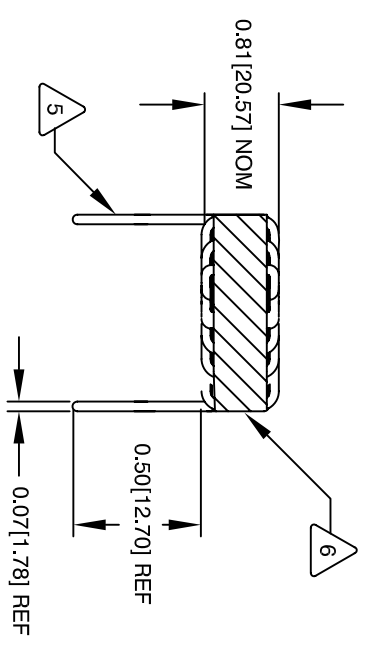
3 SRF = 954.4 KHz TYP CURRENT RATING = 8.0 AMPS DCR = 40.0 MILLIOHMS MAX INTERWINDING CAPACITANCE = 43.43pF TYP @10KHz IMPEDANCE = 10.69 KOHMS @ 954.4 KHz INDUCTANCE = 600 uH ± 15% @ 1 KHz, 250mV SPECIFICATIONS:

2 WIRE: UL RATED CLASS 200°C MAGNET WIRE CWS BY TEMARK OR OTHER APPROVED PART CORE: HIGH TEMP. POWDERED CORE

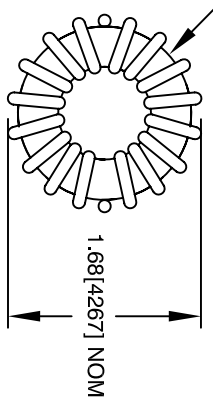
1 RATING CLASS B (130°C MIN.) REQUIRED MATERIAL: UL RECOGNIZED 94V-0 FOR FLAMMABILITY

NOTES: TOROIDAL POWER CHOKE. ALL DIMENSIONS IN INCHES

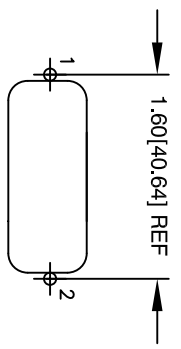
REVISION HISTORY		SIGN & DATE				
REV	ECN	DESCRIPTION	BY	DATE	CHK	DATE
A		PRODUCTION RELEASE	AK	11/29/12	JLJU	11/29/12



FRONT VIEW



BOTTOM VIEW



MOUNTING HOLES PATTERN

CODE IDENT	MFG. P/N	DESCRIPTION	ITEM NO.
PARTS LIST			
AUTOCAD SOLIDWORKS	X		
UNLESS OTHERWISE SPECIFIED			
DRAWN: GN	DATE: 11/29/12	TITLE: Toroidal Power Chokes	REV: A
CHKD: JLJU	DATE: 11/29/12	TOROID INDUCTOR	
ENGR: JLJU	DATE: 11/29/12		
APPR: JLJU	DATE: 11/29/12		
DO NOT SCALE DRAWING		SIZE: DIM. NO. HF358-601M-8AH	SHEET 1 OF 1