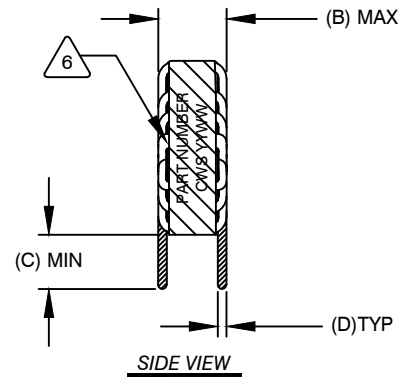
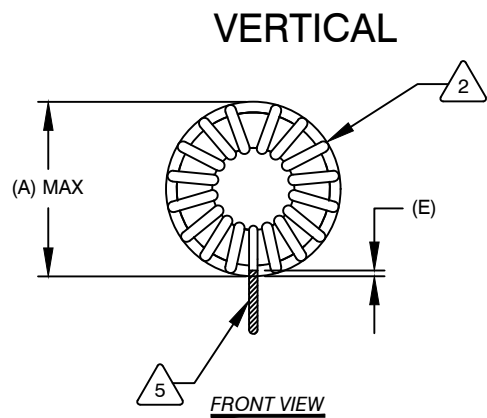
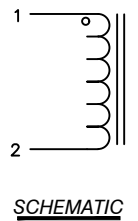


The information contained in this drawing is the sole property of Coil Winding Specialist. Any reproduction in part or whole without written permission of Coil Winding Specialist is prohibited.

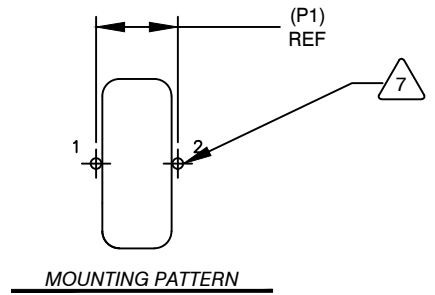
DIMENSIONALS MEASURED IN INCHES AND [MM]					
A (OD) MAX	B (HGT) MAX	C (LEAD) MIN	D (LEAD OD) TYP	E MIN/MAX	P1 REF
1.67" [42.50]	.720" [18.30]	.500" [12.70]	.056" [1.41]	.002-.100" [0.50-2.50]	.670" [17.01]

REVISION HISTORY						
REV	ECN	DESCRIPTION	SIGN & DATE			
			BY	DATE	CHK	DATE
A	N/A	PRODUCTION RELEASE	AK	11/29/12	JLAU	11/29/12
B	151117	UPDATE INFORMATION	AK	11/17/15	BO	11/17/15



DC Bias	
0 Amp	613 uH
2 Amp	583 uH
4 Amp	524 uH
6 Amp	448 uH
8 Amp	364 uH
10 Amp	282 uH

- 8 BUILD TO ROHS COMPLIANCE
- 7 GREATER THAN DIMENSION (D) BY 15%
MOUNTING HOLE SIZE ON PCB BOARD SHOULD BE
- 6 LABEL PART NUMBER AND REVISION, IF APPLICABLE
WRAP INDUCTOR WITH GLASS TAPE
- 5 (C) AND (E)
REMOVE INSULATION AND TIN LEADS BASED ON DIMENSIONS
- 4 WIND COILS EVENLY SPACED AROUND THE CORE
CONSTRUCTION:
- WEIGHT = 94.5 GRAMS
OPERATING TEMP RANGE = -25°C TO 120°C
MAXIMUM TEMPERATURE RISE = 40°C
SRF = 883 KHz TYP
INTERWINDING CAPACITANCE = 56pF TYP @ SRF
IMPEDANCE = 16 KOHMS @ SRF
CURRENT RATING = 8.0 AMPS
DCR = 40.0 MILLI-OHMS MAX
INDUCTANCE = 600 uH ± 15% @ 1 KHz, 250mV
- 3 SPECIFICATIONS @ 25°C
- 2 WIRE: CLASS 200°C RATED
CWS BYTEMARK OR OTHER APPROVED PART
RATING CLASS B (130 °C MINIMUM) REQUIRED
MATERIAL: UL RECOGNIZED FOR FLAMMABILITY
- 1



PARTS LIST					
AUTOCAD	X	SALES@COILWS.COM	CWS Coil Winding Specialist.		
SOLIDWORKS		www.coilws.com	353 W Grove Ave Orange, CA 92865		
UNLESS OTHERWISE SPECIFIED	SIGN	DATE	TITLE:	Toroidal Power Chokes 600 uH, 8 Amp	
DIMENSIONING AND TOLERANCE PER ANSI Y14.5M ALL DIMENSIONS ARE IN INCHES AND [MILLIMETERS].	DRAWN GN	11/29/12	SIZE	DWG. NO.	REV B
TOLERANCE INCHES: .XXX=±.005 .XX=±.015 \angle=±0°30'	CHECKED JLAU	11/29/12			
TOLERANCE METRICS: .XXX=±.127 .XX=±.38 \angle=±0°30'	ENGR. JLAU	11/29/12			
ANGLE PROJECTION	APPR. JLAU	11/29/12			
DO NOT SCALE DRAWING			SCALE	N/A	SHEET 1 OF 1

NOTES: UNLESS OTHERWISE STATED, READ NOTES FROM BOTTOM UP