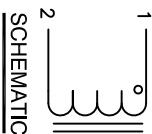


The information contained in this drawing is the sole property of CWS Coil Winding Specialist. Any reproduction in part or whole without written permission of CWS Coil Winding Specialist is prohibited.

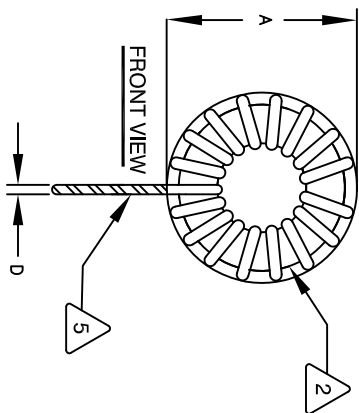


DIMENSIONAL TOLERANCES INCHES (MM)					
A	B	C	D	Y	
MAX	MAX	MIN	REF	REF	REF
2.01 [51.00]	1.20 [30.48]	1.00 [25.40]	0.11 [2.86]	1.05 [26.67]	

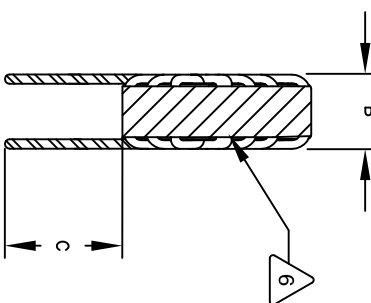
REVISION HISTORY			SIGN & DATE			
REV	ECN	DESCRIPTION	BY	DATE	CHK	DATE
A1	-	REVISED DIM. X,Y	TN	10/03/2017	JL	10/03/2017
B	-	UPDATED SPEC.	TI	06/15/2020	JM	06/15/2020



SCHEMATIC

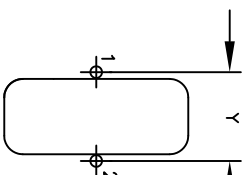


FRONT VIEW



SIDE VIEW

DC BIAS TABLE	DC BIAS (AMP)	L @ 1.0 KHz
0	86.7uH	
5	84.2uH	
10	81.7uH	
20	72.5uH	
35	54.1uH	
45	43.0uH	
55	33.4uH	



MOUNTING HOLES PATTERN

CODE IDENT	MFG. P/N	DESCRIPTION	ITEM NO.
X		PARTS LIST	

AUTOCAD SOLIDWORKS	X	COILWS COM, INC 353 WEST GROVE ORANGE, CA 92865
UNLESS OTHERWISE SPECIFIED		
DIMENSIONING AND TOLERANCE PER ANSI Y14.5M AND [MILLIMETERS].		
TOLERANCE UNLESS OTHERWISE SPECIFIED:		

DRWN	TN	DATE	TITLE:
JL	10/03/2017	10/03/2017	TOROIDAL POWER INDUCTOR
ENGR.	JM	10/03/2017	90uH, 55 Amps, Vertical
APPR.	JL	10/03/2017	

SIZE (DIM. NO.)	B	SCALE	2=1	REV	B
TOLERANCE UNLESS OTHERWISE SPECIFIED:					
XXX DIMENSIONS ARE IN INCHES					
XXX TOLERANCE METRICS:					
XXX=±.127					
XXX=±.38					
ANGLE PROJECTION					
DO NOT SCALE DRAWING					

7 BUILD TO ROHS COMPLIANCE AND LEAD FREE.

6 USING A PERMANENT MARKING METHOD MARK PART NUMBER AND REVISION, IF APPLICABLE, WRAP INDUCTOR WITH 3M # 79 OR EQUAL

5 (I.E. COIL MUST REST FLAT ON PCB). LEADS MUST BE TANGENT TO THE CORE REMOVE INSULATION AND TIN LEADS 0.50 INCH, FLUSH WITH THE COIL EDGE, AS SHOWN WIND COILS EVENLY SPACED AROUND THE CORE CONSTRUCTION:

4 WEIGHT: 189.5 GRAMS TYPICAL INTERWINDING CAPACITANCE = 33pF TYP @ SRF SRF = 2.97MHZ TYPICAL |Z| = 14 KIL-OHMS TYP @ SRF RECOMMENDED AMBIENT OPERATING TEMP: -40°C TO 200°C HI-POT TEST FOR WINDING TO CORE ISOLATION = 1250 VDC 10 SEC CURRENT RATING : 55 AMPS, 40°C TEMP. RISE WITH SOME AIR FLOW DCR = 7 MILLI-OHMS MAX. INDUCTOR DC BIAS: SEE TABLE ON THE RIGHT INDUCTANCE = 90uH±15% @ 0 AMP DC BIAS, 1.0 KHZ, 300mV SPECIFICATIONS @ 25° C:

3 WIRE: UL RECOGNIZED 200°C RATED MAGNET WIRE CORE: HIGH POWDERED TOROIDAL CORE, CWS BYTEMARK OR OTHER APPROVED PART

1 MATERIAL: UL RECOGNIZED 94V-0 FOR FLAMMABILITY, RATING CLASS H (180°C MIN.) REQUIRED ANY TOLERANCE. THIS DIM. CAN VARY A LITTLE FROM PART TO PART. *TYP IN DIM. TABL. TABLE REFERS TO A NON-CRITICAL TYPICAL (AVERAGE) DIM. WITHOUT NOTES: UNLESS OTHERWISE STATED, READ NOTES FROM BOTTOM UP.

CAGE CODE: 5DME2