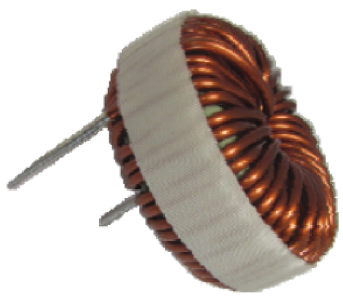
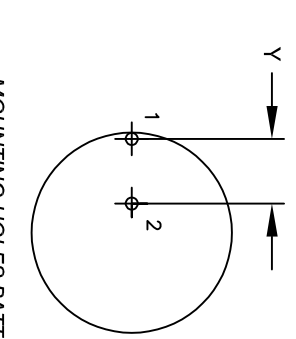
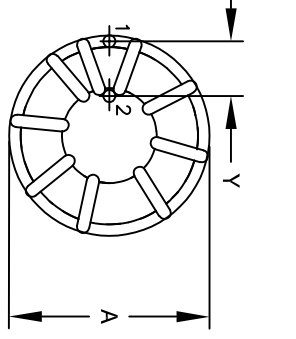
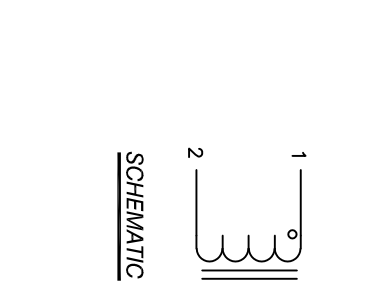
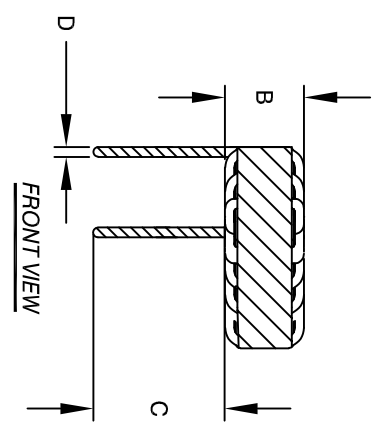


The information contained in this drawing is the sole property of CWS Coil Winding Specialist. Any reproduction in part or whole without written permission of CWS Coil Winding Specialist is prohibited.



DIMENSIONAL TOLERANCES (INCHES [MM])					
A	B	C	D	Y	
MAX	MAX	MIN	REF	REF	REF
2.50 [63.50]	1.32 [33.52]	0.50 [12.70]	0.082 [2.08]	0.89 [22.50]	0.89 [22.50]

REVISION HISTORY			
REV	ECN	DESCRIPTION	SIGN & DATE
			BY DATE CHK DATE
B		UPDATED ELEC. AND MECH. SPEC.	TN 2/22/18 JL 2/22/18
B1	032024	REVISED Y (REF) DIMENSION	TN 03/20/24 JL 03/20/24



DC Bias vs. Inductance	
DC Bias (A)	Inductance (uH)
0	1002
5	901
10	655
15	516
20	282
23	245
26	168

- 7 BUILT TO ROHS COMPLIANCE
- 6 REVISION AND DATE CODE IF APPLICABLE, LABEL PART NUMBER, LEADS AS REQUIRED REMOVE WIRE INSULATION AND TIN WIND COILS EVENLY SPACED CONSTRUCTION:
- 5 WEIGHT: .292 GRAMS TYP
- 4 HI-POT WINDING-TO-CORE 1250 VAC, 10 SEC INTERWINDING CAPACITANCE 50pF TYPICAL @ SRF DCR = 28mΩ MAX |Z| = 27KΩ TYP @ SRF SRF = 730KHz TYPICAL MAX TEMP. RISE @ 20 AMP, LESS THAN 50°C WITH NO AIRFLOW INDUCTOR DC BIASED: SEE TABLE ON THE RIGHT INDUCTANCE @ 0 AMP = 1.0mH±12% (LESS THAN 10% RIPPLE) TEST FREQUENCY: 1.0 KHz; TEST VOLTAGE: 250mV RATED MAX. CURRENT = 26 AMPS RMS INDUCTOR OPERATING TEMPERATURE RANGE: -40° TO 180°C SPECIFICATIONS @ 25°C
- 3 WIRE: UL RATED CLASS 200°C CORE: HIGH TEMP POWDERED CORE
- 2 MATERIAL: UL RECOGNIZED FLAMMABILITY
- 1

NOTES: UNLESS OTHERWISE SPECIFIED, READ NOTES FROM BOTTOM TO UP.

CODE	IDENT	MFG. P/N	DESCRIPTION	ITEM NO.
PARTS LIST				
AUTOCAD		X		
SOLIDWORKS				
DRAWN	TN	10/04/17	COILWS COM, INC 353 W Grove Ave Orange, CA 92865	
ENGR.	JM	10/04/17		
APPR.	JL	10/04/17		
TITLE:			Toroidal Power Inductor	
DRAWN			1mH, 26 Amp	
SCALE			B	
NOT TO SCALE			HF467-102M-26AH	
SHEET			1 OF 1	
REV			B1	