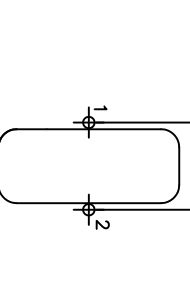
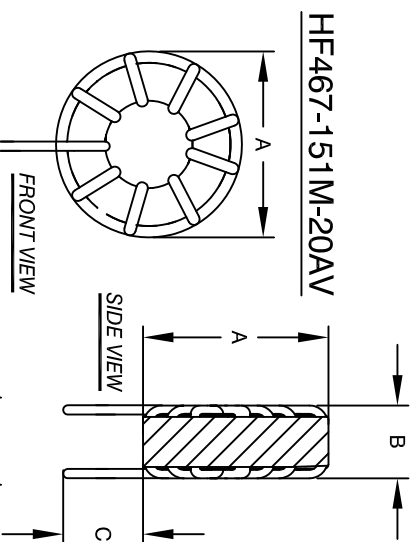
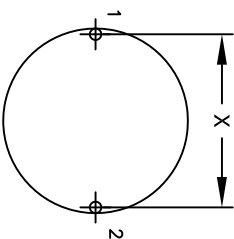
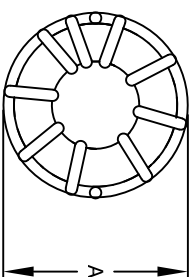
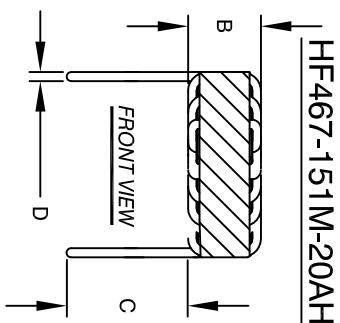
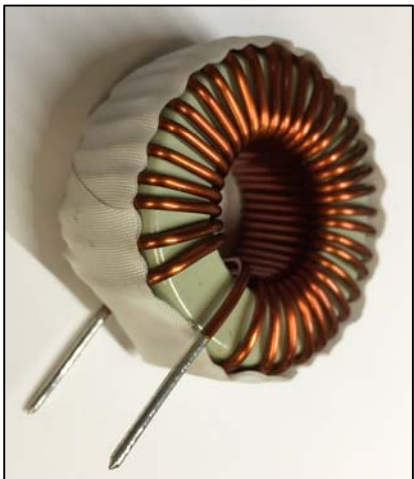


The information contained in this drawing is the sole property of CWS Coil Winding Specialist. Any reproduction in part or whole without written permission of CWS Coil Winding Specialist is prohibited.



DIMENSIONAL TOLERANCES INCHES (MM)

A	B	C	D	X	Y
MAX	MAX	MIN	REF	REF	REF
2.165 [55.0]	1.0 [25.4]	.75 [19.05]	.08 [2.0]	2.0 [51.0]	.950 [24.00]

REVISION HISTORY

REV	ECN	DESCRIPTION	BY	DATE	CHK	DATE
A		PRODUCTION RELEASE	CN	07/23/09	AM	07/23/09

7 BUILT TO ROHS COMPLIANCE:

6 IF APPLICABLE, LABEL PART NUMBER AND REVISION

POSITION LEADS AS REQUIRED
REMOVE WIRE INSULATION AND TIN
WIND COILS EVENLY SPACED

5 CONSTRUCTION:

4 WEIGHT: ~205 GRAMS

HI-POT WINDING-TO-CORE 1250 V AC, 10 SEC
INTERWINDING CAPACITANCE 8.3pF TYPICAL @ SRF
DCR = 20mΩ MAX
SRF ~ 4200kHz TYPICAL

MAX TEMP. RISE @ IDC 20 AMP, LESS THAN 50°C WITH NO AIRFLOW
DC BIASED = 20 AMPS, INDUCTANCE = 132 UH
DC BIASED = 10 AMPS, INDUCTANCE = 141 UH

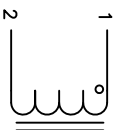
INDUCTANCE @ 0 AMP = 150uH±15% (LESS THAN 10% RIPPLE)
TEST FREQUENCY: 1.0 kHz; TEST VOLTAGE: 250mV
RATED MAX. CURRENT = 20 AMPS RMS; FREQUENCY: 1kHz
OPERATING TEMPERATURE RANGE: -40° TO 180°C

3 SPECIFICATIONS @ 25°C

2 WIRE: UL RATED CLASS 200°C
CORE: HIGH TEMP POWDERED CORE

1 RATING UL-CLASS H (180°C) REQUIRED
MATERIAL: UL RECOGNIZED FLAMMABILITY

NOTES: UNLESS OTHERWISE SPECIFIED, READ NOTES FROM BOTTOM TO UP.



SCHEMATIC

UNLESS OTHERWISE SPECIFIED	
DIMENSIONING AND TOLERANCE PER ANSI Y14.5M	
ALL DIMENSIONS ARE IN INCHES AND [MILLIMETERS]	
TOLERANCE INCHES: .XX±.015	∠=±0°30'
.XXX±.005 .XX±.01	∠=±0°30'
.XXX±.127 .XX±.03	∠=±0°30'
ANGLE PROJECTION	
DO NOT SCALE DRAWING	

CODE IDENT	MFG. P/N	DESCRIPTION	ITEM NO.
AUTOCAD	X		
SOLIDWORKS			
DRAWN	07/23/09		
CHECKED	07/23/09		
ENGR.	07/23/09		
APPR.	7/23/09		
SIZE	UNC. MD.		
SCALE	NOT TO SCALE		

REV	DATE	DESCRIPTION
A		

CODE	DESCRIPTION	ITEM NO.