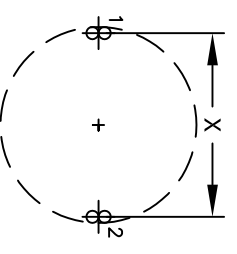
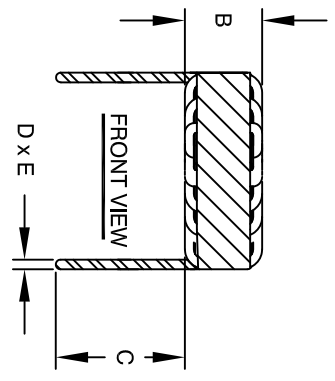
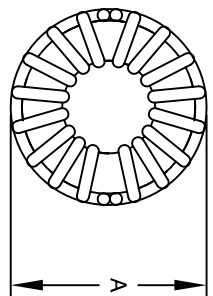
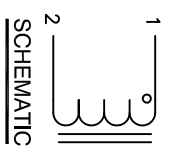


The information contained in this drawing is the sole property of CWS Coil Winding Specialist. Any reproduction in part or whole without written permission of CWS Coil Winding Specialist is prohibited.

DIMENSIONAL TOLERANCES					
INCHES (MM)					
A	B	C	D	E	X
MAX	MAX	REF	REF	REF	REF
2.20	1.02	0.75	0.20	0.10	2.12
[56.00]	[26.00]	[19.00]	[5.00]	[2.50]	[54.00]



DC BIAS TABLE		
DC BIAS (AMP)	L @	
0	18.8uH	
10	18.7uH	
20	18.3uH	
30	18.1uH	
40	17.2uH	
60	16.6uH	

REVISION HISTORY				SIGN & DATE		
REV	ECN	DESCRIPTION	BY	DATE	CHK	DATE
A	-	INITIAL RELEASE	GN	04/09/2009	AM	04/09/2009
B	-	UPDATED SPEC.	TI	06/23/2020	JM	06/23/2020

- BUILD TO ROHS COMPLIANCE AND LEAD FREE.
USING A PERMANENT MARKING METHOD
MARK PART NUMBER AND REVISION. IF APPLICABLE
WRAP INDUCTOR WITH 3M # 79 OR EQUAL
- (I.E. COIL MUST REST FLAT ON PCB). LEADS MUST BE TANGENT TO THE CORE
REMOVE INSULATION AND TIN LEADS 0.50 INCH, FLUSH WITH THE COIL EDGE, AS SHOWN
- CONSTRUCTION: WIND COILS EVENLY SPACED AROUND THE CORE
THESE SPECIFICATIONS ARE BASED ON LOW RIPPLE CURRENT
WEIGHT: 230 GRAMS TYPICAL
INTERWINDING CAPACITANCE = 15.5pF TYP @ SRF
SRF = 8.9MHZ TYPICAL
|Z| = 16.7 KILLO-OHMS TYP @ SRF
RECOMMENDED AMBIENT OPERATING TEMP: -40°C TO 125°C
HIPOT TEST FOR WINDING TO CORE ISOLATION = 1250 VDC 10 SEC
CURRENT RATING : 60 AMPS, 40°C TEMP. RISE WITH SOME AIR FLOW
DCR = 4.0 MILLI-OHMS MAX.
INDUCTOR DC BIAS: SEE TABLE ON THE RIGHT
INDUCTANCE = 20uH ±15% @ 0 AMP DC BIAS, 1.0 KHZ, 300mV
SPECIFICATIONS @ 25°C :
- MATERIAL: UL RECOGNIZED 94V-0 FOR FLAMMABILITY, RATING CLASS H (180°C MIN.) REQUIRED
ANY TOLERANCE. THIS DIM. CAN VARY A LITTLE FROM PART TO PART.
*TYP IN DIM. TABLE REFERS TO A NON-CRITICAL TYPICAL (AVERAGE) DIM. WITHOUT NOTES: UNLESS OTHERWISE STATED, READ NOTES FROM BOTTOM UP.
CAGE CODE: 5DME2

UNLESS OTHERWISE SPECIFIED
DIMENSIONING AND TOLERANCE PER ANSI Y14.5M AND (MILLIMETERS).
TOLERANCE INCHES: .XX = ±0.015
TOLERANCE METRICES: .XX = ±0.38
ANGLE PROJECTION

CODE IDENT	MFG. P/N	DESCRIPTION	ITEM NO.
PARTS LIST			
AUTOCAD SOLIDWORKS SIGN	X		
DATE			
07/23/2009			
CHKD AM	07/23/2009		
ENGR. KLC	07/23/2009		
APPR. KLC	07/23/2009		
TITLE:		CWS Coil Winding Specialist.	
DRAWING NO.		353 W Grove Ave	
SCALE		Orange, CA 92865	
SIZE		TOROIDAL POWER INDUCTOR	
DIM. NO.		20 uH, 60 Amps, Horizontal	
REV		HF467-200M-60AH	
SHEET		1 OF 1	