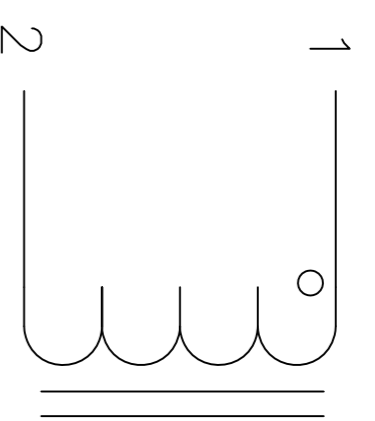


DIMENSIONAL TOLERANCES INCHES [MM]						
A	B	C	D	X	Y	
MAX	MAX	MIN	REF	REF	REF	
2.20 [56.0]	1.05 [27.0]	.75 [19.05]	.11 [2.80]	2.12 [54.0]	.944 [24.0]	

REVISION HISTORY			
REV	ECN	DESCRIPTION	DATE
A		PRODUCTION RELEASE	02/24/17
B		REMOVED THE HEIGHT ON VERTICAL MOUNT PART	10/22/19



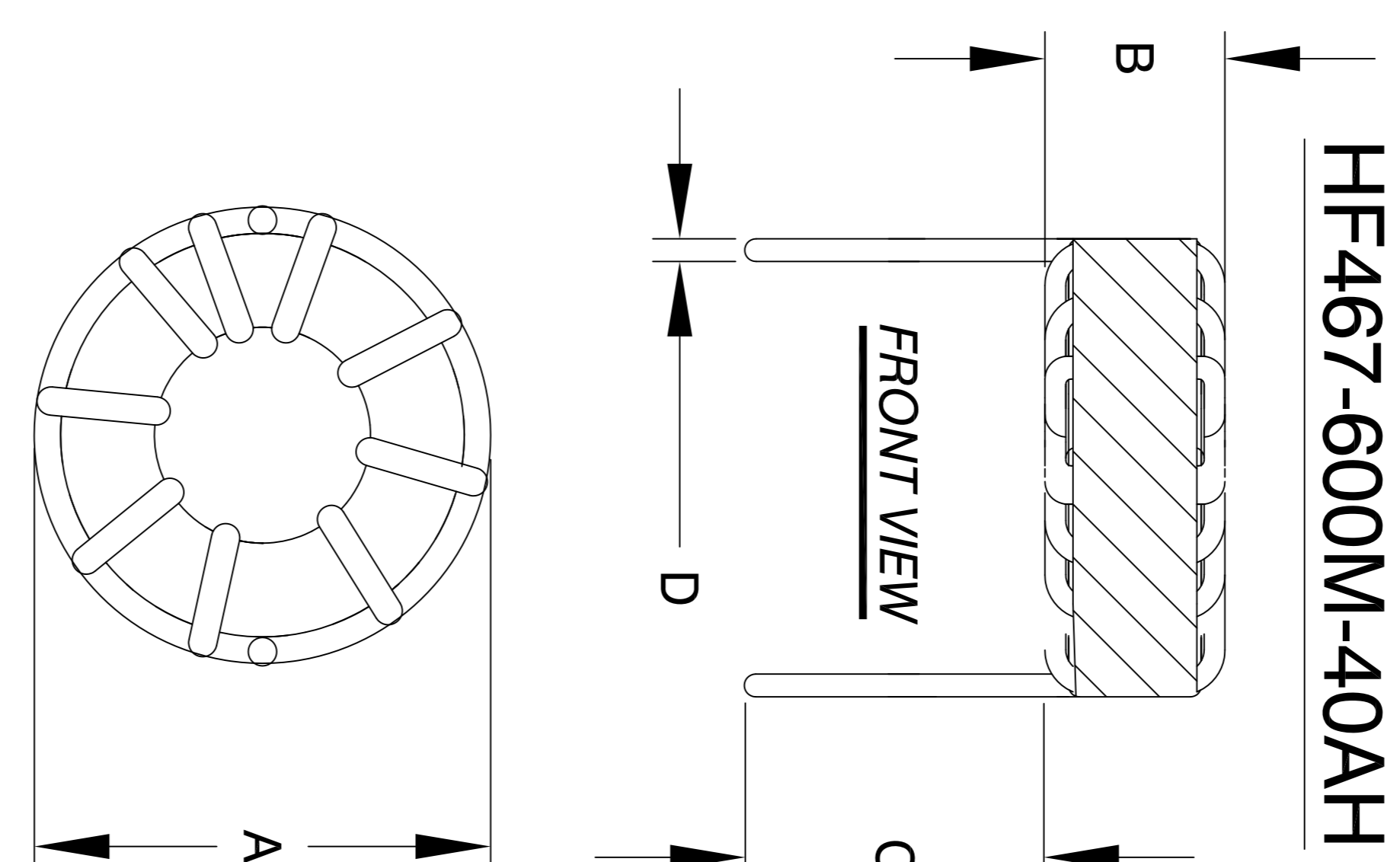
SCHEMATIC

7 BUILT TO ROHS COMPLIANCE.

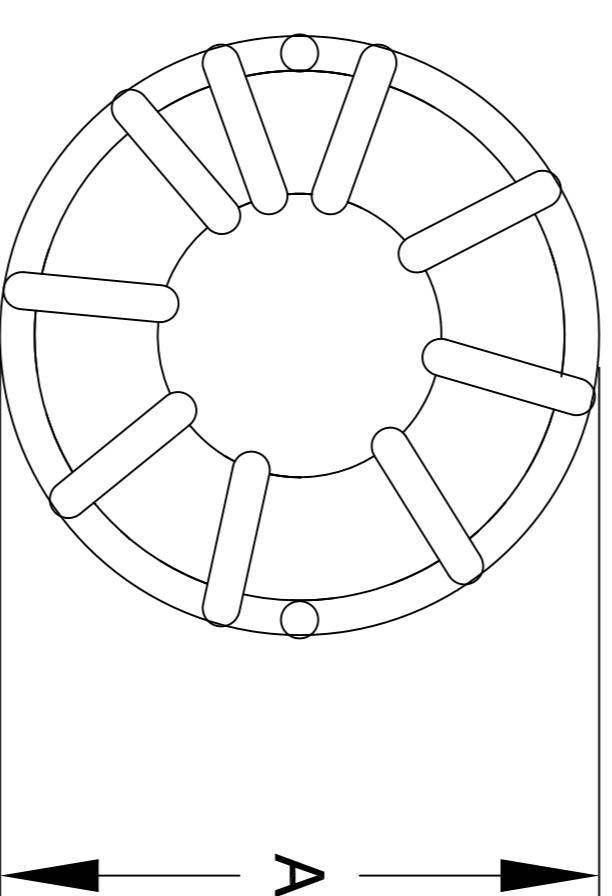
6 IF APPLICABLE, LABEL PART NUMBER AND REVISION

5 POSITION LEADS AS REQUIRED
REMOVE WIRE INSULATION AND TIN
WIND COILS EVENLY SPACED
CONSTRUCTION:

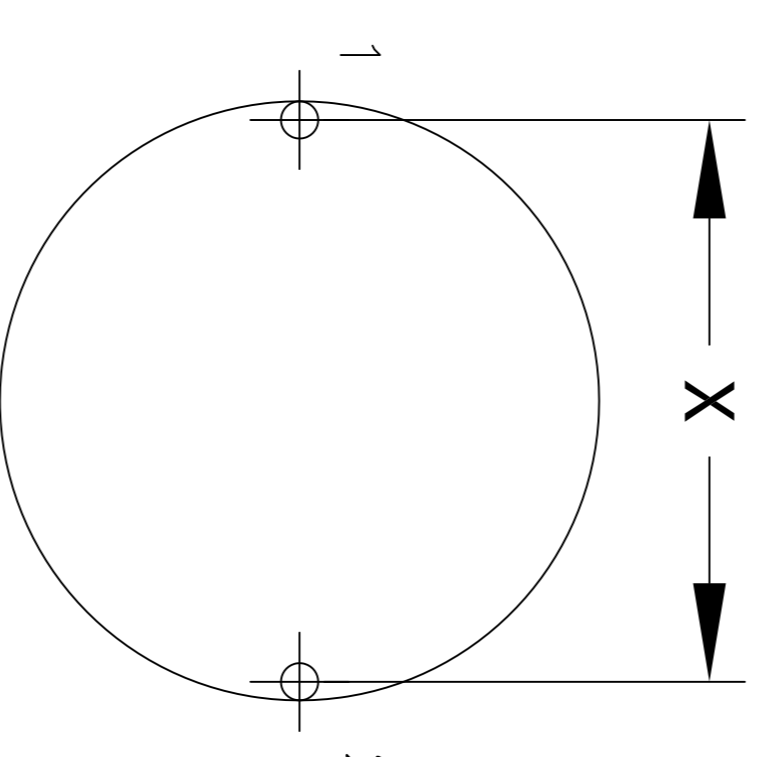
4 WEIGHT: ~230 GRAMS



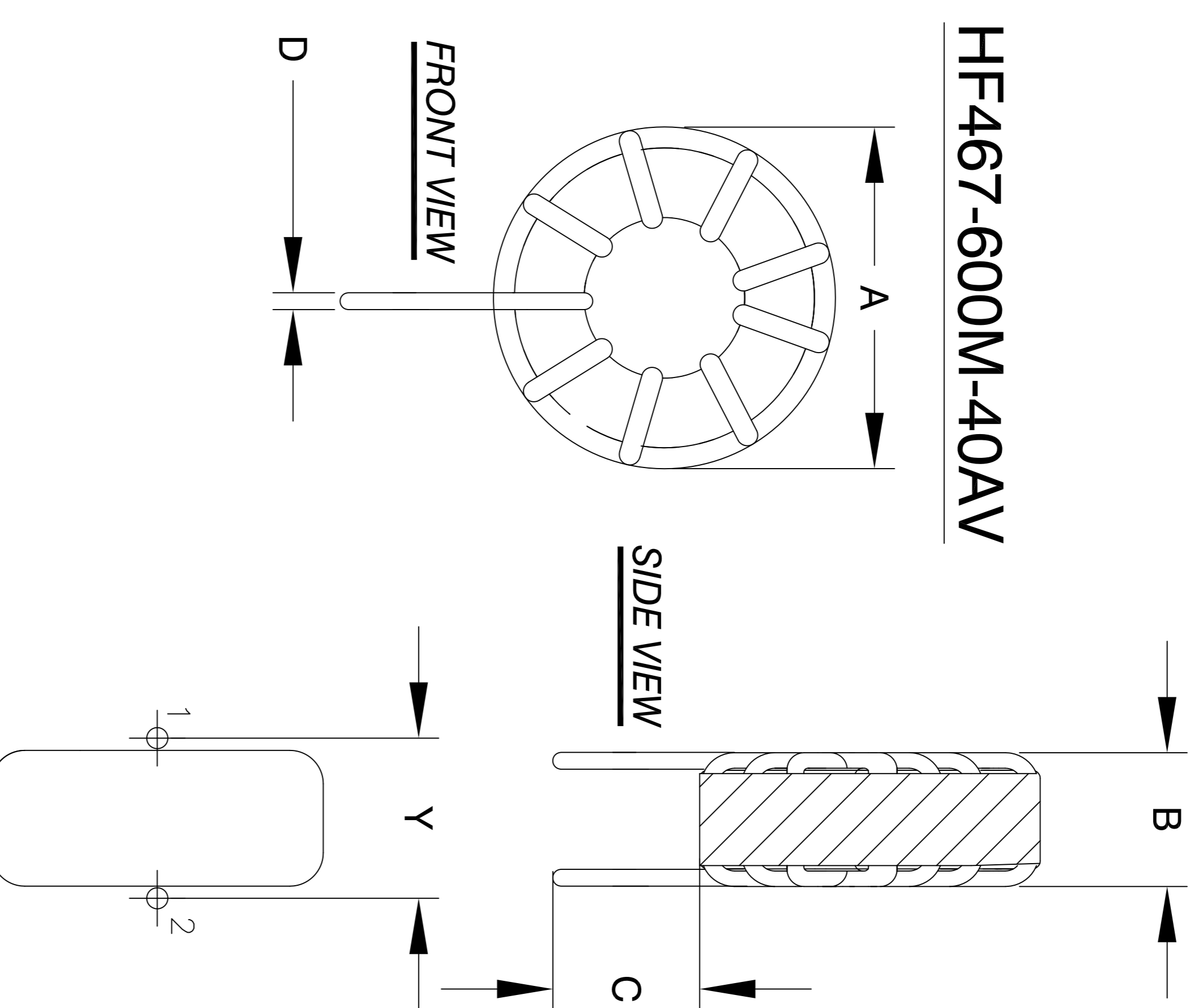
HF467-600M-40AH



BOTTOM VIEW



MOUNTING HOLES PATTERN



HF467-600M-40AV

MOUNTING HOLES PATTERN

- 1 MATERIAL: UL RECOGNIZED FLAMMABILITY
- 2 CORE: HIGH TEMP POWDERED CORE
- 3 SPECIFICATIONS @ 25°C
WIRE: UL RATED CLASS 200°C
CORE: HIGH TEMP POWDERED CORE
- 4 HI-POT WINDING-TO-CORE 1250 V AC, 10 SEC
INTERWINDING CAPACITANCE 3.2pF TYPICAL @ SRF
DCR = 6.5mΩ MAX
SRF ~ 7700kHz TYPICAL
MAX TEMP. RISE @ IDC 40 AMP, LESS THAN 50°C WITH NO AIRFLOW
- 5 DC BIASED = 40 AMPS, INDUCTANCE = 45 UH
DC BIASED = 20 AMPS, INDUCTANCE = 52 UH
INDUCTANCE @ 0 AMP = 60uH±15% (LESS THAN 10% RIPPLE)
TEST FREQUENCY: 1.0 KHZ ; TEST VOLTAGE: 250mV
RATED MAX. CURRENT = 40 AMPS RMS ; FREQUENCY: 1KHZ
OPERATING TEMPERATURE RANGE : -40° TO 180°C

NOTES: UNLESS OTHERWISE SPECIFIED, READ NOTES FROM BOTTOM TO UP.

CODE IDENT	MFG. P/N	DESCRIPTION	ITEM NO.
PARTS LIST			
AUTOCAD	X		
SOLIDWORKS			
SIGN	DATE	TITLE:	
JL	02/24/17	Toroidal Power Inductor	
JM	02/24/17	60 UH, 40 Amp	
JM	02/24/17		
JM	02/24/17		
JM	02/24/17		