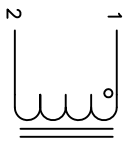


The information contained in this drawing is the sole property of CMS Coil Winding Specialist. Any reproduction in part or whole without written permission of CMS Coil Winding Specialist is prohibited.

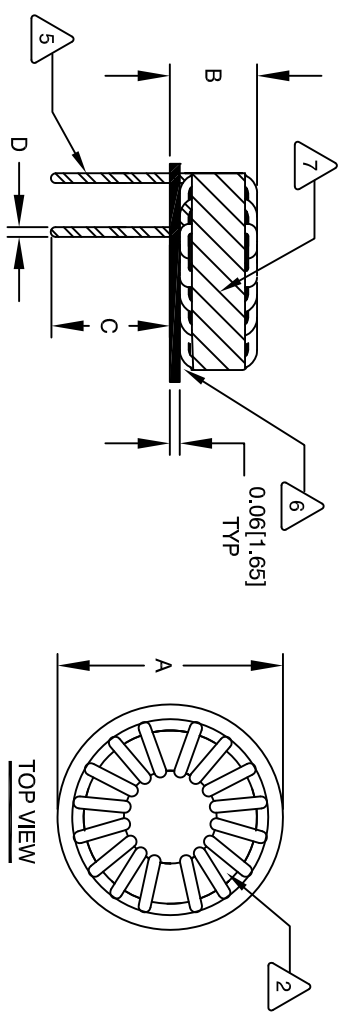


SCHEMATIC

- 8 BUILD TO ROHS COMPLIANCE AND LEAD FREE.
MARK PART NUMBER, REVISION AND DATE CODE
WRAP INDUCTOR WITH 3M # 79 OR EQUAL
- 7 APPLY SILICONE WHERE SHOWN
TO THE CORE
(I.E. COIL MUST REST FLAT ON PCB), LEADS MUST BE TANGENT
FLUSH WITH THE COIL EDGE, AS SHOWN
- 6 REMOVE INSULATION AND TIN LEADS 0.50 INCH,
WIND COILS EVENLY SPACED AROUND THE CORE
CONSTRUCTION:
- 5 WEIGHT: 515 GRAMS TYPICAL
INTERWINDING CAPACITANCE = 18pF TYP @ SRF
SRF = 3.8MHz TYPICAL
|Z| = 17.4 KIL-OHMS TYP @ SRF
RECOMMENDED AMBIENT OPERATING TEMP: -40°C TO 180°C
HI-POT TEST FOR WINDING TO CORE ISOLATION = 1250 VDC 10 SEC
CURRENT RATING : 50 AMPS, 50°C TEMP. RISE WITH SOME AIR FLOW
DCR = 4.0 MILLI-OHMS MAX.
INDUCTANCE AT DC BIAS: SEE TABLE ON THE RIGHT
INDUCTANCE = 100uH±15% @ 0 AMP DC BIAS, 1KHz, 250mV
SPECIFICATIONS @ 25°C :

**DIMENSIONAL TOLERANCES
INCHES (MM)**

A	B	C	D	P1	P2
MAX 2.65 [67.31]	MAX 2.17 [55.00]	MAX 0.50 [12.70]	TYP 0.14 [3.65]	TYP 0.85 [21.59]	TYP 0.25 [6.33]

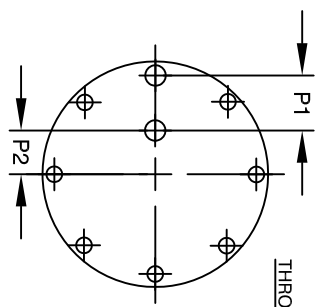


FRONT VIEW

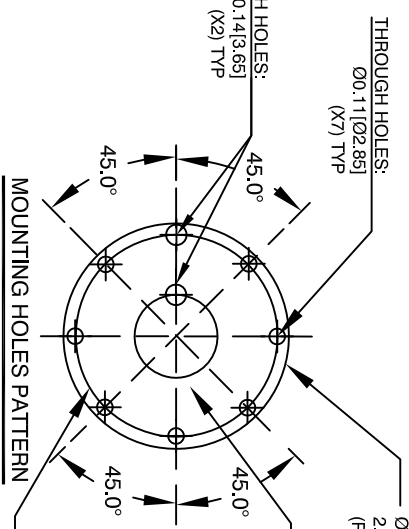
TOP VIEW

DC BIAS TABLE

DC BIAS (AMP)	L@1KHz (REF)
0	100uH
5	98uH
10	97uH
15	95uH
20	94uH
30	89uH
40	83uH
50	75uH



BOTTOM VIEW



MOUNTING HOLES PATTERN

- 3 SILICONE: DOW RTV OR EQUAL
WIRE: UL RECOGNIZED 200°C RATED MAGNET WIRE
CORE: POWDERED TOROIDAL CORE, CMS BYTEMARK OR OTHER APPROVED PART
- 2 MATERIAL: UL RECOGNIZED 94V-0 FOR FLAMMABILITY, RATING CLASS H (180°C MIN.) REQUIRED
ANY TOLERANCE. THIS DIM, CAN VARY A LITTLE FROM PART TO PART.
*TYP IN DIM. TOL. TABLE REFERS TO A NON-CRITICAL TYPICAL (AVERAGE) DIM. WITHOUT

NOTES: UNLESS OTHERWISE STATED, READ NOTES FROM BOTTOM UP.
CAGE CODE: 5DME2

REVISION HISTORY

REV	ECN	DESCRIPTION	BY	DATE	CHK	DATE
A		INITIAL RELEASE	TN	05/18/21	JL	05/18/21
A1		ADDED LETTER A FOR OD DIM	TN	08/23/22	JL	08/23/22

UNLESS OTHERWISE SPECIFIED

DIMENSIONING AND TOLERANCE PER ANSI Y14.5M AND [MILLIMETERS].	DRWN	TN	05/18/21
TOLERANCE INCHES: .XX=±0.05 .XX=±0.15 .XX=±0.30	ENGR	JL	05/18/21
TOLERANCE METRICS: .XX=±0.127 .XX=±0.38	APPR	JL	05/18/21
ANGLE PROJECTION	DO NOT SCALE DRAWING		

PARTS LIST

CODE IDENT	MFG. P/N	DESCRIPTION	ITEM NO.
AUTOCAD	X		
SOLIDWORKS			
SIGN			
DATE			
DRWN	TN	05/18/21	
ENGR	JL	05/18/21	
APPR	JL	05/18/21	
SIZE	DWG. NO.	TITLE:	
B	HF4672-101M-50ABH	TOROIDAL POWER INDUCTOR 100uH, 50 Amps, Horizontal	
SCALE	2=1	REV	A1

COWS COM, INC
353 W Grove Ave
Orange, CA 92665
CWS Coil Winding Specialist
www.cowls.com