

The information contained in this drawing is the sole property of CWS Coil Winding Specialist. Any reproduction in part or whole without written permission of CWS Coil Winding Specialist is prohibited.



DIMENSIONAL TOLERANCES INCHES (MM)					
A	B	C	D	P	
MAX	MAX	TYP	TYP	REF	
2.47	1.99	0.50	0.14	1.75	
[62.70]	[50.50]	[12.70]	[3.45]	[44.55]	

REVISION HISTORY				SIGN & DATE		
REV	EON	DESCRIPTION	BY	DATE	CHK	DATE
A	-	INITIAL RELEASE	TI	06/03/2020	JM	06/03/2020
B	-	UPDATED SPECS.	TI	06/12/2020	JL	06/12/2020

7 BUILD TO ROHS COMPLIANCE AND LEAD FREE.

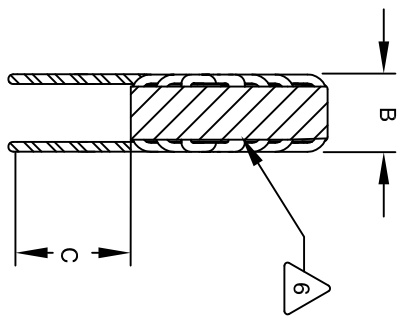
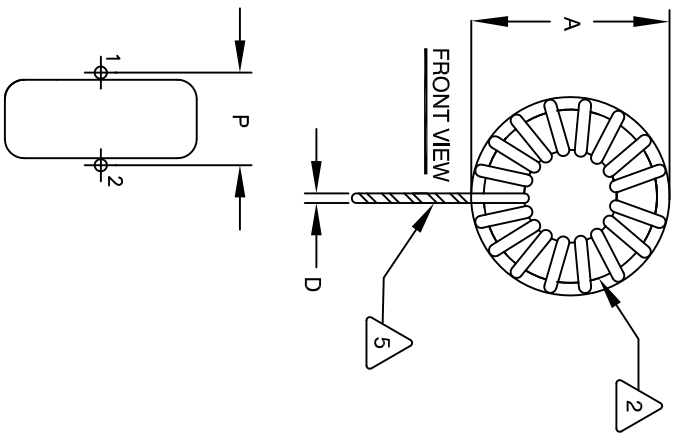
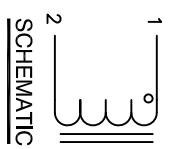
6 USING A PERMANENT MARKING METHOD MARK PART NUMBER AND REVISION, IF APPLICABLE. WRAP INDUCTOR WITH 3M # 79 OR EQUAL

5 (I.E. COIL MUST REST FLAT ON PCB). LEADS MUST BE TANGENT TO THE CORE REMOVE INSULATION AND TIN LEADS 0.50 INCH, FLUSH WITH THE COIL EDGE, AS SHOWN

4 WIND COILS EVENLY SPACED AROUND THE CORE CONSTRUCTION:
WEIGHT: 515 GRAMS TYPICAL
INTERWINDING CAPACITANCE = 18pF TYP @ SRF
SRF = 3.8mhz TYPICAL
|Z| = 17.4 KILO-OHMS TYP @ SRF
RECOMMENDED AMBIENT OPERATING TEMP: -40°C TO 180°C
HI-POT TEST FOR WINDING TO CORE ISOLATION = 1250 VDC 10 SEC
CURRENT RATING : 50 AMPS, 50°C TEMP. RISE WITH SOME AIR FLOW
DCR = 4.0 MILLI-OHMS MAX.

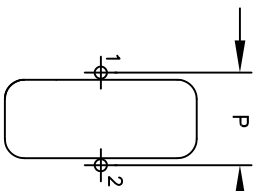
3 INDUCTANCE = 100uH±15% @ 0 AMP DC BIAS, 1.0 KHZ, 300mV
SPECIFICATIONS @ 25° C :

2 WIRE: UL RECOGNIZED 200°C RATED MAGNET WIRE
CORE: HIGH POWDERED TOROIDAL CORE, CWS BYTEMARK OR OTHER APPROVED PART
1 MATERIAL: UL RECOGNIZED 94V-0 FOR FLAMMABILITY, RATING CLASS H (180°C MIN.) REQUIRED
ANY TOLERANCE. THIS DIM. CAN VARY A LITTLE FROM PART TO PART.
TYP IN DIM. TABL. TABLE REFERS TO A NON-CRITICAL TYPICAL (AVERAGE) DIM. WITHOUT NOTES: UNLESS OTHERWISE STATED, READ NOTES FROM BOTTOM UP.
CAGE CODE: 5DME2



DC BIAS (AMP)	L @ 1.0 KHZ
0	100uH
5	98uH
10	97uH
15	95uH
20	94uH
30	89uH
40	83uH
50	75uH

MOUNTING HOLES PATTERN



CODE IDENT	MFG. P/N	DESCRIPTION	ITEM NO.
PARTS LIST			
AUTOCAD SOLIDWORKS	X		
UNLESS OTHERWISE SPECIFIED			
DRAWN	TN	06/03/2020	
CHKD	JL	06/03/2020	
ENGR.	JL	06/03/2020	
APPR.	JL	06/03/2020	
TITLE:		TOROIDAL POWER INDUCTOR	
DRAWN:		CWS Coil Winding Specialist	
CHKD:		353 WEST GROVE	
ENGR:		ORANGE, CA 92865	
APPR:			
SIZE	DWG. NO.	REV	
B	HF4672-101M-50AV	B	
SCALE	2=1	SHEET	1 OF 1