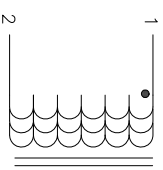


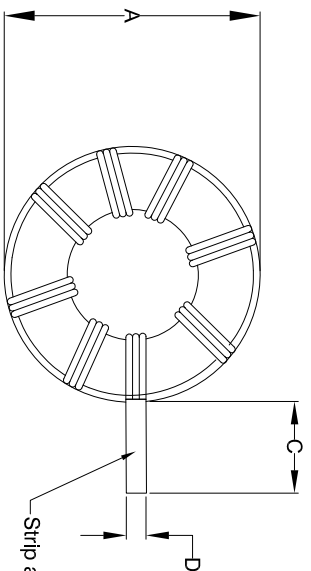
The information contained in this drawing is the sole property of Coil Winding Specialists Inc. (CWS). Any reproduction in part or whole without written permission of CWS Coil Winding Specialists is prohibited.

DIMENSIONAL TOLERANCE INCHES (MM)				
A	B	C	D/Ø (DIM)	P1
Max	Max	Typ	Typ	Ref
2.756 [70.00]	1.693 [43.00]	1.000 [25.40]	.272x.0905 [6.90x2.30]	1.515 [38.49]

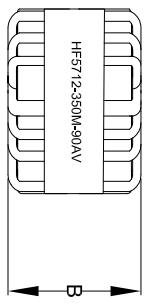
REVISION HISTORY				
REV	ECN	DESCRIPTION	BY	DATE
A		PRODUCTION RELEASE	TN	10/15/18
A1		REVISED ELEC. SPEC & TINNERING	TN	05/13/20



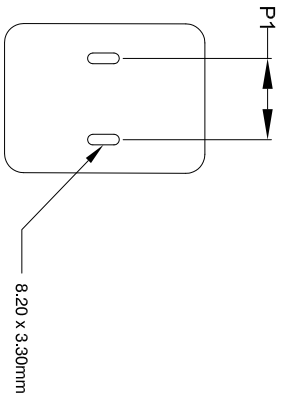
SCHEMATIC



TOP VIEW



FRONT VIEW



MOUNTING HOLE PATTERN (TOP VIEW)

DC BIAS	INDUCTANCE (TYP)
0 Amp	36 uH
10 Amp	35 uH
20 Amp	35 uH
30 Amp	33 uH
40 Amp	32 uH
50 Amp	30 uH
60 Amp	29 uH
70 Amp	27 uH
80 Amp	24 uH
90 Amp	23 uH

- 7 BUILT TO ROHS COMPLIANCE.
- 6 IF APPLICABLE, LABEL PART NUMBER AND REVISION POSITION LEADS AS REQUIRED REMOVE WIRE INSULATION AND TIN WIND COILS EVENLY SPACED
- 5 CONSTRUCTION:
- 4 WEIGHT: ~600 GRAMS
HI-POT WINDING-TO-CORE 1250 V AC, 10 SEC INTERWINDING CAPACITANCE = 12PF TYP @ SRF
|Z| = 2.5 KILO-OHMS TYP @ SRF
DCR = 2.0mΩ MAX
SRF = 9 MHz TYPICAL
MAX TEMP - RISE @ IDC 90 AMP, LESS THAN 60°C WITH NO AIRFLOW
INDUCTOR DC BIAS: SEE TABLE ON THE RIGHT
INDUCTANCE @ 0 AMP = 35uH±15% (LESS THAN 10% RIPPLE)
TEST FREQUENCY: 1.0 KHZ ; TEST VOLTAGE: 250mV; 0ADC
RATED MAX. CURRENT = 90 AMPS RMS ; FREQUENCY: 1KHZ
OPERATING TEMPERATURE RANGE : -40°C TO 180°C
SPECIFICATIONS @ 25°C:
- 3
- 2 WIRE: UL RATED CLASS 200°C
CORE: HIGH TEMP POWDERED CORE
- 1 RATING UL-CLASS H (180°C) REQUIRED
MATERIAL: UL RECOGNIZED FLAMMABILITY

NOTES: UNLESS OTHERWISE SPECIFIED, READ NOTES FROM BOTTOM TO UP.

CAGE CODE: 5DME2

UNLESS OTHERWISE SPECIFIED		AUTOCAD		X	
DIMENSIONING AND TOLERANCE PER ANSI Y14.5M AND (MILLIMETERS)		SIGN		SOLIDWORKS	
TOLERANCE INCHES: .XX±.005 XXX±.127 XX±.38		DRAWN		DATE	
TOLERANCE METERS: .XX±.13 XX±.38		CHECKED		DATE	
ANGLE PROJECTION		ENGR.		DATE	
DO NOT SCALE DRAWING		APPR.		DATE	
		JL		10/15/18	
		JL		10/15/18	
		SCALE		N/A	
		SHEET		1 OF 1	

www.coilws.com
sales@coilws.com
CWS Coil Winding Specialist
353 West Grove Ave
Orange, California, 92865 (CAGE 5DME2)

TITLE:
POWER INDUCTOR
35uH, 90Amp, Vertical Mount

SIZE DWG. NO.
HF5712-350M-90AV