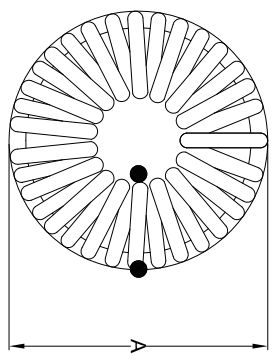
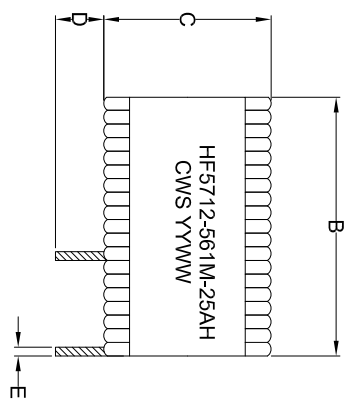


The information contained in this drawing is the sole property of Coil Winding Specialist, Inc. (CWS). Any reproduction in part or whole without written permission of CWS Coil Winding Specialist is prohibited.

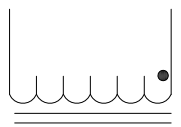
DIMENSIONAL TOLERANCE INCHES (MM)										REVISION HISTORY					
A	B	C(HGT)	D(LEAD)	E(Ø DIM)	X	Y	Z	W	REV	ECN	DESCRIPTION	BY	DATE	CHK	DATE
Max	Max	Max	Typ	Typ	Ref	Ref	Ref	Ref	A		PRELIMINARY DESIGN	KLC	10/24/11	AK	10/24/11
2.68 [68.0]	2.68 [68.0]	1.73 [44.0]	0.50 [12.7]	0.091 [2.3]	0.79 [20.00]	0.36 [9.14]	0.15 [3.81]	0.06 [1.40]	B		REVISED MECH. SPEC.	TN	05/15/20	JL	05/15/20
									C		ADDED W DIM	TN	09/14/21	JL	09/14/21



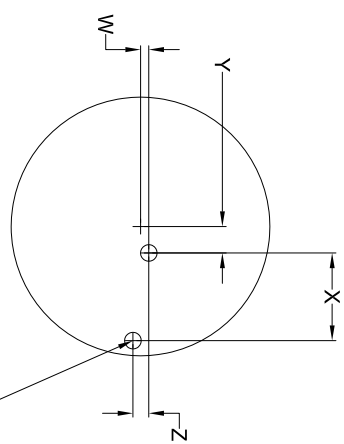
BOTTOM VIEW



SIDE VIEW



SCHEMATIC



MOUNTING HOLE PATTERN (TOP VIEW)

RECOMMENDED PIN HOLES (X2) [Ø3.2 MM]

- 7 BUILT TO RoHS COMPLIANCE.
- 6 IF APPLICABLE, LABEL PART NUMBER AND REVISION POSITION LEADS AS REQUIRED REMOVE WIRE INSULATION AND TIN WIND COILS EVENLY SPACED
- 5 CONSTRUCTION:
- 4 WEIGHT: ~620 GRAMS
- 3 HI-POT WINDING-TO-CORE 1250 V AC, 10 SEC INTERWINDING CAPACITANCE 75pF TYPICAL @ 10KHZ DCR=25mΩ MAX SRF ~ 790KHZ TYPICAL MAX TEMP. RISE @ IDC 25 AMP, LESS THAN 50°C WITH NO AIRFLOW INDUCTANCE @ 0 AMP = 560uH±15% (LESS THAN 10% RIPPLE) TEST FREQUENCY: 1.0 KHZ ; TEST VOLTAGE: 250mV RATED MAX. CURRENT = 25 AMPS RMS ; FREQUENCY: 1KHZ OPERATING TEMPERATURE RANGE : -40° TO 180°c SPECIFICATIONS @ 25°C
- 2 WIRE: UL RATED CLASS 200°C CORE: HIGH TEMP POWDERED CORE
- 1 RATING UL-CLASS H (180°) REQUIRED MATERIAL: UL RECOGNIZED FLAMMABILITY

NOTES: UNLESS OTHERWISE SPECIFIED, READ NOTES FROM BOTTOM TO UP.

UNLESS OTHERWISE SPECIFIED		AUTOCAD SOLIDWORKS	
DIMENSIONING AND TOLERANCE PER ANSI Y14.5M AND (MILLIMETERS).		SIGN DATE	
TOLERANCE INCHES: XX.X±.005		DRAWN KLC 10/24/11	
TOLERANCE METERS: XXX±.127		CHECKED AK 10/24/11	
ANGLE PROJECTION		ENGR. KLC 10/24/11	
DO NOT SCALE DRAWING		APPR. KLC 10/24/11	
www.coilw.com sales@coilw.com		TITLE: POWER INDUCTOR 560uH, 25Amp, Horizontal	
CWS Coil Winding Specialist 353 West Grove Ave Orange, California 92865 (CAGE 50MEZ)		SIZE: DWG. NO. HF5712-561M-25AH	
SCALE: N/A		REV: C	