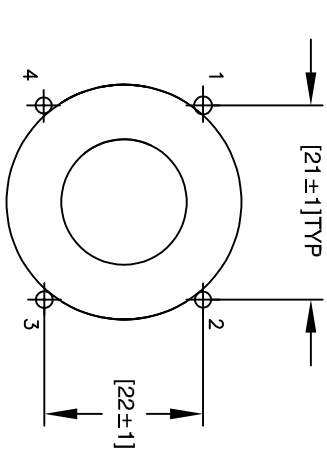
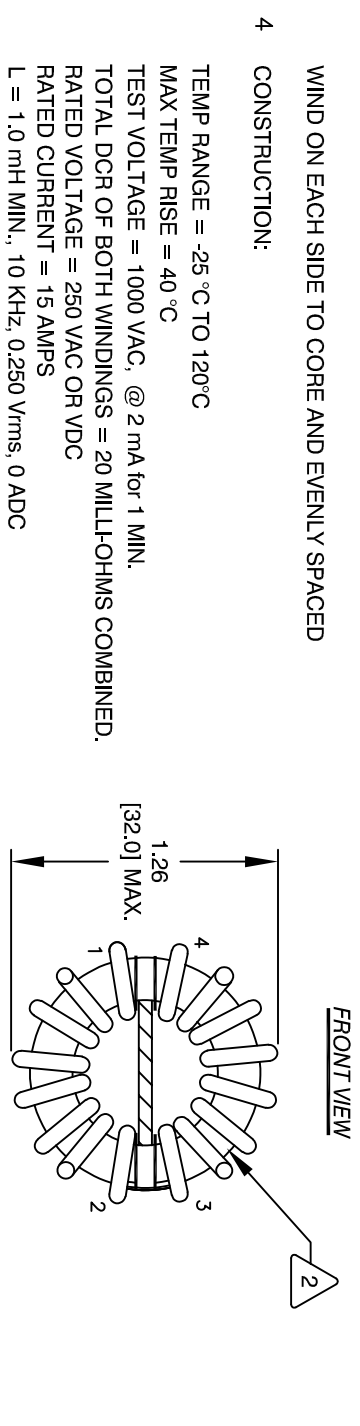
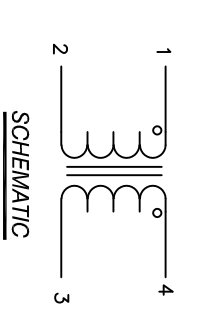
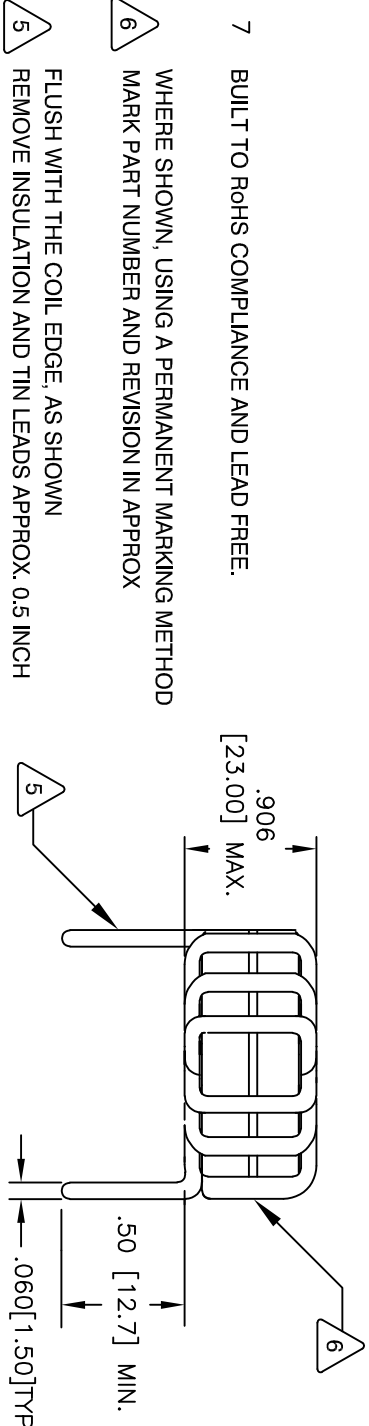


The information contained in this drawing is the sole property of CMS Coil Winding Specialist. Any reproduction in part or whole without written permission of CMS Coil Winding Specialist is prohibited.

REVISION HISTORY

| REV | ECN    | DESCRIPTION                                | BY  | DATE     | CHK | DATE     |
|-----|--------|--|-----|----------|-----|----------|
| A   |        | INITIAL RELEASE                            | KLC | 5/12/09  | AM  | 5/12/09  |
| A1  | 022924 | UPDATED PIN # CONFIGURATION ON BOTTOM VIEW | TN  | 02/29/24 | JL  | 02/29/24 |



- APPROVED PART  
WIRE: UL RECOGNIZED 180°C RATED MAGNET WIRE  
CWS BYTEMARK OR OTHER APPROVED PART  
CORE: FERRITE TOROID, HIGH PERM MNZN
- BOBBIN RATING CLASS B (130°) REQUIRED  
MATERIAL: UL RECOGNIZED 94V-0 FOR FLAMMABILITY
- NOTES: UNLESS OTHERWISE SPECIFIED, READ NOTES FROM BOTTOM UP.

UNLESS OTHERWISE SPECIFIED  
DIMENSIONING AND TOLERANCE PER ANSI Y14.5M  
ALL DIMENSIONS ARE IN INCHES AND [MILLIMETERS].  
TOLERANCE INCHES: .XXX±.005, .XXX±.015, .XXX±.030  
TOLERANCE MILLIMETERS: .XXX±.127, .XXX±.254  
ANGLE PROJECTION DO NOT SCALE DRAWING

| QTY | CODE IDENT | MFG. P/N | DESCRIPTION          | ITEM NO. |
|-----|------------|----------|----------------------|----------|
|     |            |          | <b>PARTS LIST</b>    |          |
|     |            |          | <b>AUTOCAD</b>       |          |
|     |            |          | <b>SOLIDWORKS</b>    |          |
|     |            |          | <b>SIGN</b>          |          |
|     |            |          | <b>DATE</b>          |          |
|     |            |          | <b>DRWN</b>          |          |
|     |            |          | <b>KLC</b>           |          |
|     |            |          | <b>5/12/09</b>       |          |
|     |            |          | <b>REMO</b>          |          |
|     |            |          | <b>AM</b>            |          |
|     |            |          | <b>5/12/09</b>       |          |
|     |            |          | <b>ENGR.</b>         |          |
|     |            |          | <b>KLC</b>           |          |
|     |            |          | <b>5/12/09</b>       |          |
|     |            |          | <b>APPR.</b>         |          |
|     |            |          | <b>KLC</b>           |          |
|     |            |          | <b>5/12/09</b>       |          |
|     |            |          | <b>SCALE</b>         |          |
|     |            |          | <b>B</b>             |          |
|     |            |          | <b>SIZE</b>          |          |
|     |            |          | <b>DRG. NO.</b>      |          |
|     |            |          | <b>HL-H-102U-15A</b> |          |
|     |            |          | <b>SCALE</b>         |          |
|     |            |          | <b>2=1</b>           |          |
|     |            |          | <b>SHEET</b>         |          |
|     |            |          | <b>1 OF 1</b>        |          |

**COILS COM, INC**  
www.coilw.com  
353 W. GROVE AVENUE  
ORANGE CA. 92865

CWS Coil Winding Specialist.

**Common Mode Chokes**  
Horizontal Mount