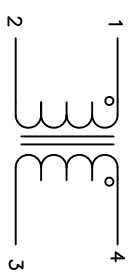


The information contained in this drawing is the sole property of Coil Winding Specialist Inc. (CWS)
 Any reproduction in part or whole without written permission of CWS is prohibited.



SCHEMATIC

- 7 BUILT TO ROHS COMPLIANCE AND LEAD FREE
- 6 LABEL PART NUMBER, REVISION AND DATE CODE.
- 5 WRAP CHOKE WITH GLASS TAPE
- 4 TIN LEADS 0.5 INCH MIN. AND FLUSH WITH THE COIL EDGE.

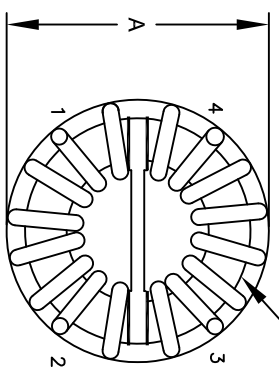
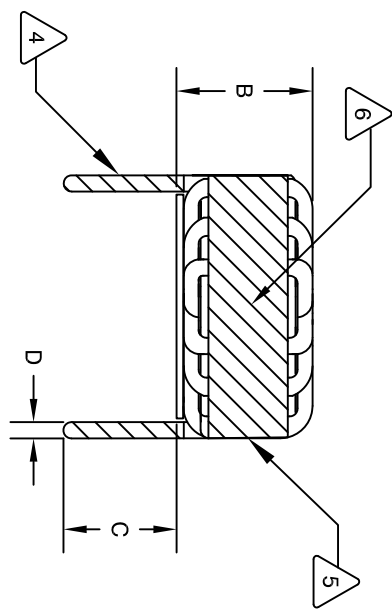
WEIGHT = 38 GRAMS TYP
 OPERATING TEMP RANGE = -25°C TO 120°C
 MAX TEMP RISE = 40°C WITH SOME AIR FLOW
 INTERWINDING ISOLATION = 2500 VOLTS RMS, 3 mA, 2 sec.
 RATED CURRENT = 3.0 AMPS
 INSULATION RESISTANCE = 100 MEGA-OHMS MIN. @ 1000 VAC
 RATED VOLTAGE = 1000 VAC
 LEAKAGE INDUCTANCE = 83uH TYP @ 10KHz, 0.25Vrms
 SRF = 3.8MHz TYPICAL
 INTERWINDING CAPACITANCE = 25pF TYP @ SRF
 IMPEDANCE = 15kΩ TYP @ SRF
 DCR ON EACH WINDING = 82mΩ MAX.
 L = 150mH TYP @ 1KHz, 250Vrms, 0 ADC
 SPECIFICATIONS AT 25°C:

WIRE: UL RECOGNIZED 155°C RATED MAGNET WIRE
 CWS BYTEMARK OR OTHER APPROVED PART
 CORE: NANOCRYSTALLINE OR AMORPHOUS CORE

BOBBIN/CASE = UL CLASS B (130°)
 1 MATERIAL: UL RECOGNIZED 94V-0 FOR FLAMMABILITY

ANY TOLERANCE. THIS DIM. CAN VARY A LITTLE FROM PART TO PART.
 *TYP IN DIM. TABLE REFERS TO A NON-CRITICAL TYPICAL (AVERAGE) DIM. WITHOUT
 NOTES. UNLESS OTHERWISE SPECIFIED, READ NOTES FROM BOTTOM UP.
 CAGE CODE: 5DME2

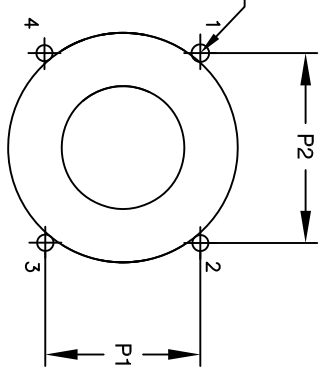
DIMENSIONAL TOLERANCE INCHES [MM]					
A(OD) MAX	B(HGHT) MIN	C(LEAD) MIN	D(LEAD DIA) TYP	P1 REF	P2 REF
1.30 [33.00]	0.75 [19.00]	0.50 [12.7]	0.03 [0.81]	0.45 [11.00]	1.22 [31.00]



BOTTOM VIEW

REVISION HISTORY			
REV	ECN	DESCRIPTION	DATE
A		PRODUCTION RELEASE	01/20/2021

Recommended PCB hole (X4): Ø0.045[1.14]



MOUNTING HOLES PATTERN

QTY	CODE IDENT	MFG. P/N	DESCRIPTION	ITEM NO.
			PARTS LIST	
			www.coilws.com	
			Coil Winding Specialist Inc.	
			353 West Grove Ave	
			Orange, California, 92865	
			TITLE: Nanocrystalline Inductor	
			Common Mode Chokes	
			Horizontal Mount	
			SIZE Dwg. No. B	
			SCALE B	
			NOT TO SCALE	
			SHEET 1 OF 1	