

DIMENSIONAL TOLERANCE INCHES [MM]				
A(WIDTH)	B(HEIGHT)	C(LEAD)	D(LEAD DIM)	E
Max	Max	Min	Typ	(Min/Max)
1.97 [50.0]	1.26 [32.0]	0.5 [12.7]	0.06x0.12 [1.45x2.9]	1.36 [34.6]
				P1 Ref
				1.36 [34.6]
				P2 Ref
				1.36 [34.6]

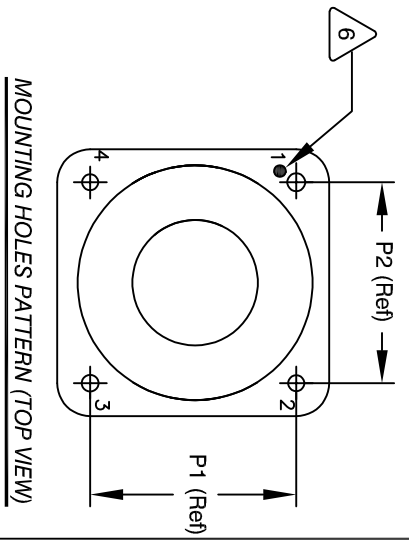
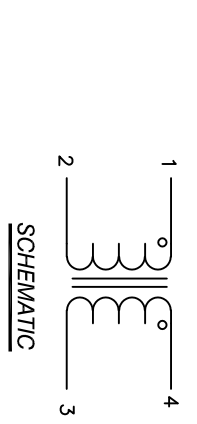
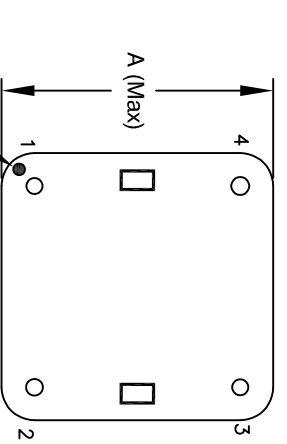
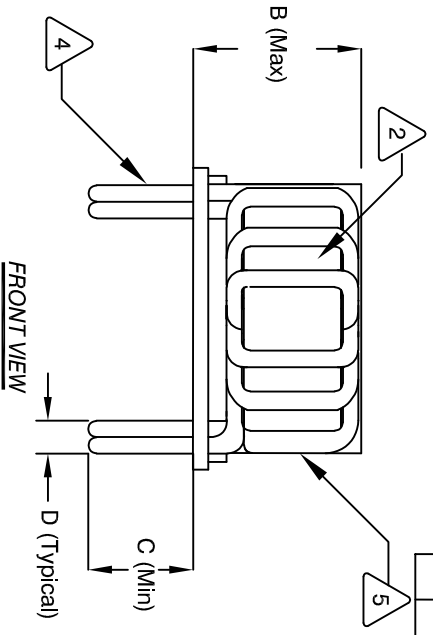
REVISION HISTORY			SIGN & DATE		
REV	ECN	DESCRIPTION	BY	DATE	DATE
B	2	ELECTRICAL DIMENSION UPDATES	AK	04/16/12	04/16/12
B1	02212024	ADDED WHITE DOT FOR PIN #1 IDENTIFICATION	TN	02/26/24	02/26/24
			JL		

- 7 BUILT TO ROHS COMPLIANCE AND LEAD FREE.
- 6 AS SHOWN ON THE TOP AND BOTTOM VIEWS, MARK WITH A WHITE DOT FOR PIN #1 IDENTIFICATION
- 5 MARK PART NUMBER AND REVISION IF APPLICABLE.
- 4 TIN LEADS APPROX. 0.5 INCH AND FLUSH WITH THE COIL EDGE.

- WEIGHT = 135 GRAMS
- OPERATING TEMP RANGE = -25 °C TO 120°C
- MAX TEMP RISE = 40 °C
- INTERWINDING ISOLATION = 2000 VOLTS RMS.
- DCR ON EACH WINDING = 10.0 mΩ MAX.
- SRF = 355 KHz TYP
- RATED VOLTAGE = 750 VAC OR VDC
- RATED CURRENT = 24 AMPS
- LEAKAGE INDUCTANCE = 14.7 uH TYP @ 10 KHz, 1 Vrms.
- INTERWINDING CAPACITANCE = 8.84pF TYP @ 10KHz.
- IMPEDANCE = 8.4 kΩ NOM @ SRF
- L = 20 mH MIN @ 1 KHz, 1 Vrms, 0 ADC
- INSULATION RESISTANCE = 100 MEGA-OHMS MIN. @ 500 VDC
- 3 SPECIFICATIONS AT 25°C:

- 2 WIRE: UL RECOGNIZED 200°C RATED MAGNET WIRE
- CWS BYTEMARK OR OTHER APPROVED PART
- CORE: NANOCRYSTALLINE OR AMORPHOUS CORE
- BOBBIN RATING CLASS B (200°) REQUIRED
- 1 MATERIAL: UL RECOGNIZED 94V-0 FOR FLAMMABILITY

NOTES: UNLESS OTHERWISE SPECIFIED, READ NOTES FROM BOTTOM UP.



QTY	CODE	MFG. P/N	DESCRIPTION	ITEM NO.
	IDENT			
PARTS LIST				
AUTOCAD	X	www.collins.com Coil Winding Specialist Inc.		
SOLIDWORKS		353 West Grove Ave Orange, California. 92865		
DRAWN	RLAU	12/16/10	TITLE: Nanocrystalline Inductor	
ENGR.	AK	12/16/10	Common Mode Chokes	
APPR.	JLAU	12/16/10	Horizontal Mount	
SCALE		B	SIZE (MFG. NO.)	REV
2=1		B	KN-H-203U-24A	B1