

SCHEMATIC

DIMENSIONAL TOLERANCE INCHES [MM]					
A(WIDTH) Max	B(HEIGHT) Max	C(LEAD) Min	D(LEAD DIM)	P1 TYP	P2 TYP
1.97 [50.00]	1.26 [32.00]	0.50 [12.70]	0.033±0.004x0.073±0.0075 [0.85±0.091x1.85±0.19]	1.36 [34.60]	1.36 [34.60]

REVISION HISTORY		
REV	ECN	DESCRIPTION
A		PRODUCTION RELEASE

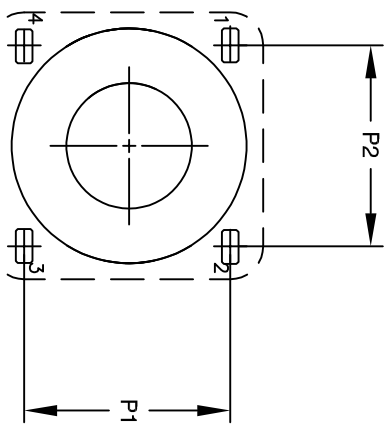
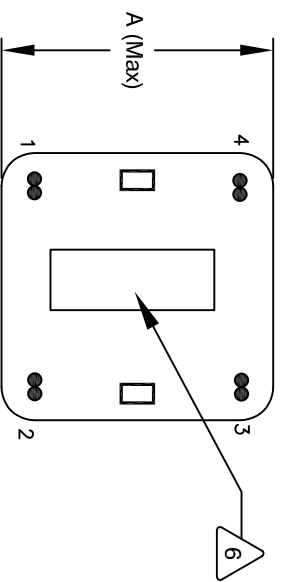
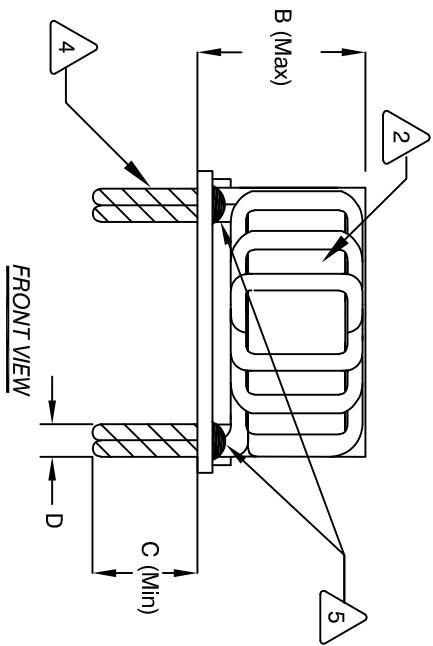
- 7 BUILT TO ROHS COMPLIANCE AND LEAD FREE.
- 6 LABEL PART NUMBER, REVISION AND DATE CODE WHERE SHOWN
- 5 APPLY EPOXY BETWEEN THE BIFILAR WIRES AND BASE (X4)
- 4 REMOVE INSULATION TIN LEADS APPROX. 0.5 INCH

WEIGHT = APPROX. 140 GRAMS  
 OPERATING TEMP RANGE = -25 °C TO 120 °C  
 MAX TEMP RISE = 40 °C  
 INTERWINDING ISOLATION = 2000 VOLTS RMS.  
 DCR ON EACH WINDING = 10.0 mΩ MAX.  
 SRF = 1.3 MHz TYP  
 RATED VOLTAGE = 750 VAC OR VDC  
 RATED CURRENT = 8 AMPS  
 LEAKAGE INDUCTANCE = 14.5μH TYP @ 10 KHz, 1 Vrms.  
 INTERWINDING CAPACITANCE = 4pF TYP @ SRF  
 IMPEDANCE = 10 kΩ TYP @ SRF  
 L = 22 mH MIN @ 1 KHz, 1 Vrms, 0 ADC  
 INSULATION RESISTANCE = 100 MEGA-OHMS MIN. @ 500 VDC  
 SPECIFICATIONS AT 25°C:

WIRE: UL RECOGNIZED 200°C RATED MAGNET WIRE  
 CWS BYTEMARK OR OTHER APPROVED PART  
 CORE: NANOCRYSTALLINE OR AMORPHOUS CORE

2 BOBBIN RATING CLASS B (200°) REQUIRED  
 MATERIAL: UL RECOGNIZED 94V-0 FOR FLAMMABILITY

ANY TOLERANCE: THIS DIM. CAN VARY A LITTLE FROM PART TO PART.  
 "TYP" IN DIM. TOL. REFERS TO A NON-CRITICAL TYPICAL (AVERAGE) DIM. WITHOUT  
 NOTES: UNLESS OTHERWISE SPECIFIED, READ NOTES FROM BOTTOM UP.



QTY	CODE	MFG. P/N	DESCRIPTION	ITEM NO.
	IDENT			
PARTS LIST				
AUTOCAD SIGN X		www.colivs.com Coil Winding Specialist Inc.		
SOLIDWORKS SIGN		353 West Grove Ave Orange, California. 92865		
DRAWN TN		DATE 01/05/24		
ENGR. TN		DATE 01/05/24		
APPR. JL		DATE 01/05/24		
SCALE B		SIZE (MM, IN) KN-H-223U-8A		
SCALE 2=1		REV A		