

The information contained in this drawing is the sole property of Coil Winding Specialist Inc. (CWS). Any reproduction in part or whole without written permission of CWS is prohibited.

DIMENSIONAL TOLERANCE INCHES [MM]					
A(WIDTH) Max	B(HEIGHT) Max	C(LEAD) Min	D(LEAD DIM) TYP	E (Min/Max)	
1.93 [49.0]	1.30 [33.0]	0.5 [12.7]	0.0890.16 [2.05x4.10]	1.36 [34.6]	1.36 [34.6]

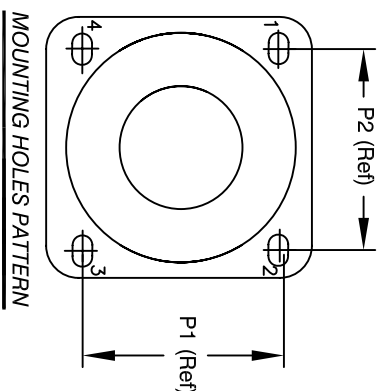
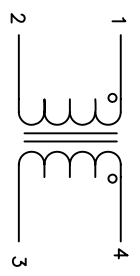
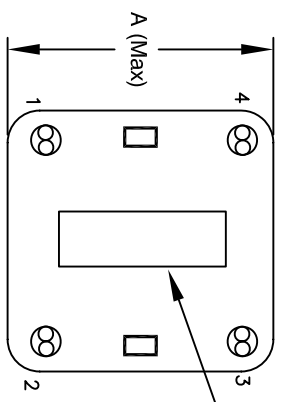
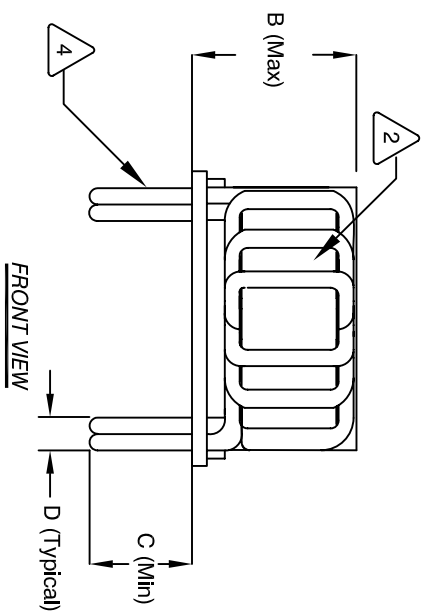
REVISION HISTORY						
REV	ECN	DESCRIPTION	BY	DATE	CHK	DATE
A	1	PRODUCTION RELEASE	KC	12/16/10	JLJU	12/16/10
B		ELECT. AND MECH. SPEC. CHG.	AK	01/14/13	BO	01/14/13
C		MECH. SPEC. CHG.	AK	3/25/13	BO	3/25/13

- 6 BUILT TO ROHS COMPLIANCE AND LEAD FREE.
- 5 MARK PART NUMBER AND REVISION, DATE CODE IF APPLICABLE.
- 4 TIN LEADS APPROX. 0.5 INCH AND FLUSH WITH THE COIL EDGE.

- 2 WEIGHT = 135 GRAMS
OPERATING TEMP RANGE = -25 °C TO 120°C
MAX TEMP RISE = 40 °C
INTERWINDING ISOLATION = 2000 VOLTS RMS.
DCR ON EACH WINDING = 1.7 mΩ MAX.
SRF = 2 MHz
RATED VOLTAGE = 250 VAC OR VDC
RATED CURRENT = 40 AMPS
LEAKAGE INDUCTANCE = 2.9 μH TYP @ 10 KHZ, 1 Vrms.
INTERWINDING CAPACITANCE = 9.7 pF TYP @ 100KHZ.
IMPEDANCE = 1.7 kΩ TYP @ 1 MHz.
L = 4.6 mH MIN @ 1 KHZ, 1 Vrms, 0 ADC
INSULATION RESISTANCE = 100 MEGA-OHMS MIN. @ 500 VDC
SPECIFICATIONS AT 25°C:

- 1 WIRE: UL RECOGNIZED 200°C RATED MAGNET WIRE
CWS BYTEMARK OR OTHER APPROVED PART
CORE: NANOCRYSTALLINE OR AMORPHOUS CORE
BOBBIN RATING CLASS B (200°) REQUIRED
MATERIAL: UL RECOGNIZED 94V-0 FOR FLAMMABILITY

NOTES: UNLESS OTHERWISE SPECIFIED, READ NOTES FROM BOTTOM TO TOP.



QTY	CODE IDENT	MFG. P/N	DESCRIPTION	ITEM NO.
			PARTS LIST	
			www.coilws.com	
			Coil Winding Specialist Inc.	
			353 West Grove Ave	
			Orange, California, 92865	
			TITLE: Nanocrystalline Inductor	
			Common Mode Chokes	
			Horizontal Mount	
			SIZE Dwg. No. KN-H-462U-40A	REV C
			SCALE 2=1	SHEET 1 OF 1