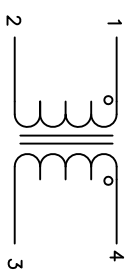


The information contained in this drawing is the sole property of Coil Winding Specialist Inc. (CWS). Any reproduction in part or whole without written permission of CWS is prohibited.



SCHEMATIC

- 6 BUILT TO ROHS COMPLIANCE AND LEAD FREE.
- 5 MARK PART NUMBER AND REVISION.

- 4 TIN LEADS APPROX. 0.5 INCH AND FLUSH WITH THE COIL EDGE.

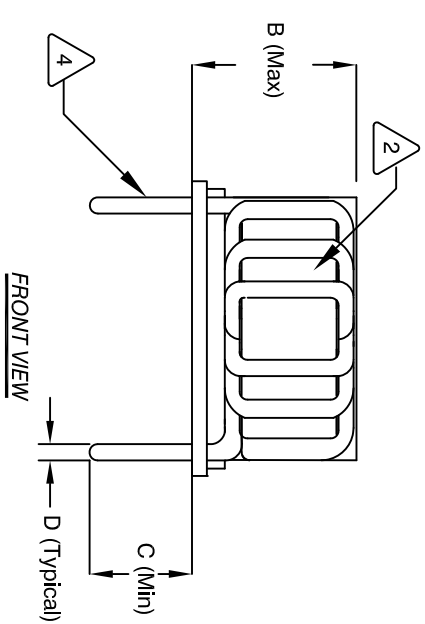
- WEIGHT = 120 GRAMS
- OPERATING TEMP RANGE = -25 °C TO 120°C
- MAX TEMP RISE = 40 °C
- INTERWINDING ISOLATION = 2000 VOLTS RMS.
- DCR ON EACH WINDING = 17.3 mΩ MAX.
- SRF = 200 KHZ
- RATED VOLTAGE = 250 VAC OR VDC
- RATED CURRENT = 13 AMPS
- LEAKAGE INDUCTANCE = 37.8 μH TYP @ 10 KHZ, 1 Vrms.
- INTERWINDING CAPACITANCE = 27PF TYP @ SRF
- IMPEDANCE = 19.8 KΩ @ SRF
- L = 7 mH MIN @ 100 KHZ, 1 Vrms, 0 ADC
- L = 48 mH MIN @ 1 KHZ, 1 Vrms, 0 ADC
- INSULATION RESISTANCE = 100 MEGA-OHMS MIN. @ 500 VDC
- SPECIFICATIONS AT 25°C:

- 2 WIRE: UL RECOGNIZED 200°C RATED MAGNET WIRE
- CWS BYTEMARK OR OTHER APPROVED PART
- CORE: NANOCRYSTALLINE OR AMORPHOUS CORE
- 1 BOBBIN RATING CLASS B (200°) REQUIRED
- MATERIAL: UL RECOGNIZED 94V-0 FOR FLAMMABILITY

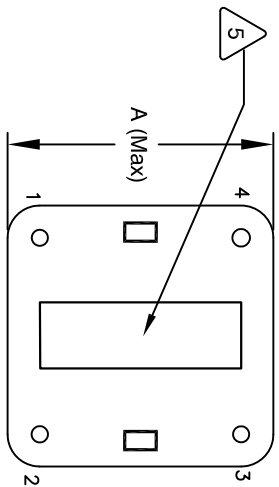
NOTE: UNLESS OTHERWISE SPECIFIED, READ NOTES FROM BOTTOM TO TOP.  
CAGE CODE: 5DME2

DIMENSIONAL TOLERANCE INCHES [MM]					
A(WIDTH) Max	B(HEIGHT) Max	C(LEAD) Min	D(LEAD DIA) TYP	P1 Ref	P2 Ref
1.84 [46.8]	1.23 [31.3]	.05 [12.7]	0.06 [1.45]	1.36 [34.6]	1.36 [34.6]

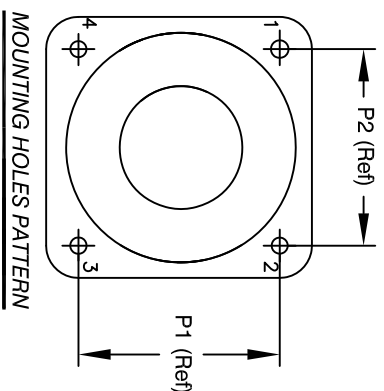
REVISION HISTORY					
REV	ECN	DESCRIPTION	BY	DATE	DATE
A	1	PRODUCTION RELEASE	KC	12/16/10	12/16/10
B	N/A	REVISED ELECTRICAL SPEC.	TN	08/31/18	08/31/18



FRONT VIEW



BOTTOM VIEW



MOUNTING HOLES PATTERN

QTY	CODE IDENT	MFG. P/N	DESCRIPTION	ITEM NO.
			<b>PARTS LIST</b>	
	AUTOCAD SOLIDWORKS			
	DRWMN	RLAU	12/16/10	
	CHKD	AK	12/16/10	
	ENGR	JLAU	12/16/10	
	APPR	JLAU	12/16/10	
			SCALE	
			B	
			2=1	

UNLESS OTHERWISE SPECIFIED  
DIMENSIONING AND TOLERANCE PER ANSI Y14.5M AND [UNITS/METERS].  
TOLERANCE INCHES:  $\pm .005$   $\pm .015$   $\pm .030$   
TOLERANCE METRICS:  $\pm .005$   $\pm .015$   $\pm .030$   
XXX=±.005 XX=±.015 X=±.030  
XXX=±.127 XX=±.38 X=±.98  
ANGLE PROJECTION  $\phi$   
DO NOT SCALE DRAWING

QTY	CODE IDENT	MFG. P/N	DESCRIPTION	ITEM NO.
			<b>PARTS LIST</b>	
	AUTOCAD SOLIDWORKS			
	DRWMN	RLAU	12/16/10	
	CHKD	AK	12/16/10	
	ENGR	JLAU	12/16/10	
	APPR	JLAU	12/16/10	
			SCALE	
			B	
			2=1	

**www.coilws.com**  
sales@coilws.com  
353 West Grove Ave  
Orange, California, 92865

TITLE: Nanocrystalline Inductor  
Common Mode Chokes  
Horizontal Mount

SIZE	DMC NO.	REV
B	KN-H-483U-13A	B