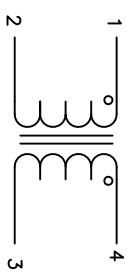


The information contained in this drawing is the sole property of Coil Winding Specialist Inc. (CWS)
 Any reproduction in part or whole without written permission of CWS is prohibited.



SCHEMATIC

- 6 BUILT TO ROHS COMPLIANCE AND LEAD FREE.
- 5 MARK PART NUMBER AND REVISION.

- 4 TIN LEADS APPROX. 0.5 INCH AND FLUSH WITH THE COIL EDGE.

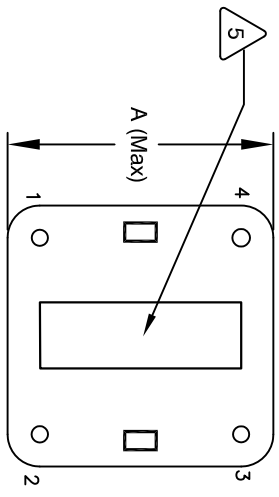
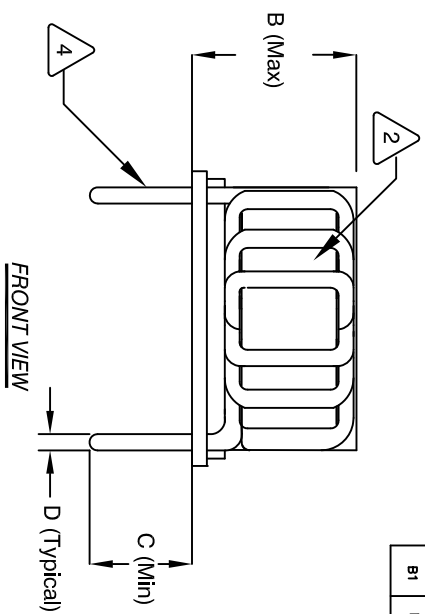
- WEIGHT = 120 GRAMS
- OPERATING TEMP RANGE = -25 °C TO 120°C
- MAX TEMP RISE = 40 °C
- INTERWINDING ISOLATION = 2000 VOLTS RMS.
- DCR ON EACH WINDING = 17.3 mΩ MAX.
- SRF = 200 KHz
- RATED VOLTAGE = 250 VAC OR VDC
- RATED CURRENT = 13 AMPS
- LEAKAGE INDUCTANCE = 37.8 μH TYP @ 10 KHz, 1 Vrms.
- INTERWINDING CAPACITANCE = 27pF TYP @ SRF
- IMPEDANCE = 19.8 kΩ @ SRF
- L = 48 mH MIN @ 1 KHz, 1 Vrms, 0 ADC
- INSULATION RESISTANCE = 100 MEGA-OHMS MIN. @ 500 VDC
- SPECIFICATIONS AT 25°C:

- 2 WIRE: UL RECOGNIZED 200°C RATED MAGNET WIRE
 CWS BYTEMARK OR OTHER APPROVED PART
 CORE: NANOCRYSTALLINE OR AMORPHOUS CORE
- 1 BOBBIN RATING CLASS B (200°) REQUIRED
 MATERIAL: UL RECOGNIZED 94V-0 FOR FLAMMABILITY

NOTE: UNLESS OTHERWISE SPECIFIED, READ NOTES FROM BOTTOM TO TOP.
 CAGE CODE: 5DME2

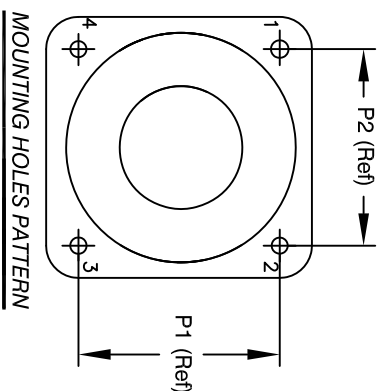
EP FORM0005 REV 4 2011

DIMENSIONAL TOLERANCE INCHES [MM]					
A(WIDTH) Max	B(HEIGHT) Max	C(LEAD) Min	D(LEAD DIA) TYP	P1 Ref	P2 Ref
1.84 [46.8]	1.23 [31.3]	.05 [12.7]	0.06 [1.45]	1.36 [34.6]	1.36 [34.6]



BOTTOM VIEW

REVISION HISTORY					
REV	ECN	DESCRIPTION	BY	DATE	DATE
A	1	PRODUCTION RELEASE	KC	12/16/10	12/16/10
B	N/A	REVISED ELECTRICAL SPEC.	TN	08/31/18	08/31/18
B1	N/A	DELETED 100KHZ TEST FREQUENCY	TN	11/19/18	11/19/18



MOUNTING HOLES PATTERN

QTY	CODE IDENT	MFG. P/N	DESCRIPTION	ITEM NO.
			PARTS LIST	
			www.coilws.com	
			Coil Winding Specialist Inc.	
			353 West Grove Ave	
			Orange, California, 92865	
			sales@coilws.com	
			TITLE:	
			Nanocrystalline Inductor	
			Common Mode Chokes	
			Horizontal Mount	
			SIZE	
			DMC NO. KN-H-483U-13A	REV B1
			SCALE	
			2=1	
			SHEET 1	OF 1

UNLESS OTHERWISE SPECIFIED
 DIMENSIONING AND TOLERANCE PER ANSI Y14.5M AND [DIMETERS].
 TOLERANCE INCHES: .XXX=±.005 .XX=±.015 .X=±0.30'
 TOLERANCE METRICS: .XXX=±.127 .XX=±.38 ANGLE PROJECTION

DO NOT SCALE DRAWING

CAD-FILE: