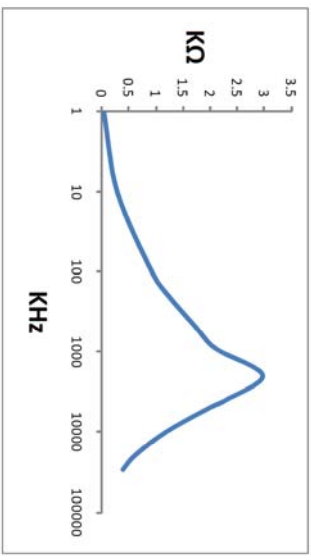


The information contained in this drawing is the sole property of Coil Winding Specialist Inc. (CWS). Any reproduction in part or whole without written permission of CWS is prohibited.



IMPEDANCE

DIMENSIONAL TOLERANCE INCHES [MM]

A(WDTH) Max	B(HGHT) Max	C(LEAD) Min	D(LEAD DIA) TYP	E (Min/Max)	P1 Ref	P2 Ref
2.03 [51.50]	1.28 [32.50]	0.5 [12.7]	0.10 [2.59]	1.36 [34.6]	1.36 [34.6]	1.36 [34.6]

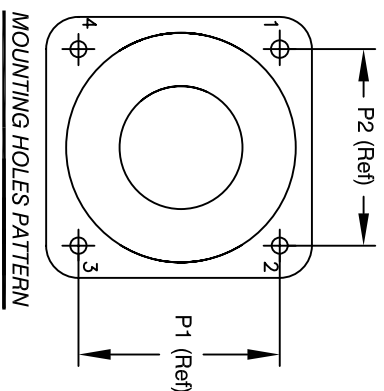
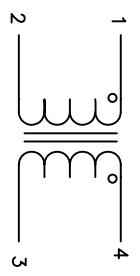
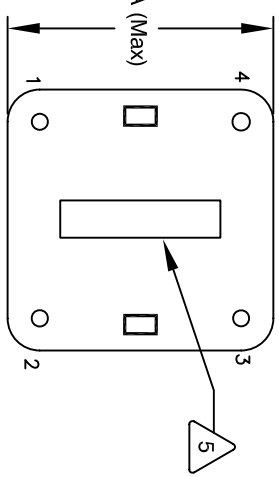
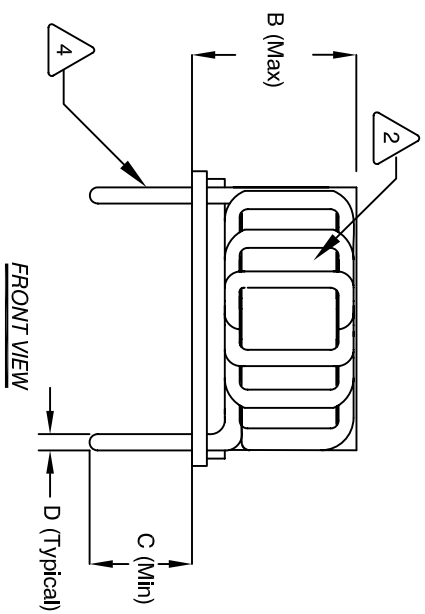
REVISION HISTORY

REV	ECN	DESCRIPTION	BY	DATE	CHK	DATE
A	1	PRODUCTION RELEASE	KC	12/16/10	JUJU	12/16/10
B		MECH. AND ELEC. CHANGE	AK	07/16/12	JUJU	07/16/12

- 6 BUILT TO ROHS COMPLIANCE AND LEAD FREE.
- 5 MARK PART NUMBER AND REVISION IF APPLICABLE
- 4 TIN LEADS APPROX. 0.5 INCH AND FLUSH WITH THE COIL EDGE.

- 2 WIRE: UL RECOGNIZED 200°C RATED MAGNET WIRE
CWS BYTE-MARK OR OTHER APPROVED PART
CORE: NANOCRYSTALLINE OR AMORPHOUS CORE
- 1 BOBBIN RATING CLASS B (200°) REQUIRED
MATERIAL: UL RECOGNIZED 94V-0 FOR FLAMMABILITY

NOTES: UNLESS OTHERWISE SPECIFIED, READ NOTES FROM BOTTOM TO TOP.



QTY	CODE IDENT	MFG. P/N	DESCRIPTION	ITEM NO.
			PARTS LIST	

UNLESS OTHERWISE SPECIFIED	DRAWN	DATE	TITLE	SIZE	REV
DIMENSIONING AND TOLERANCE PER ANSI Y14.5M AND [MILLIMETERS]	RLAU	12/16/10	Nanocrystalline Inductor Common Mode Chokes Horizontal Mount	B	B
TOLERANCE INCHES: .XXX=±.005 .XX=±.015 TOLERANCE METRICS: .XXX=±.127 .XX=±.38	AK	12/16/10			
ANGLE PROJECTION	JUJU	12/16/10			
DO NOT SCALE DRAWING	APPR.				

www.coilw.com
353 West Grove Ave
Orange, California, 92865
Coil Winding Specialist Inc.
sales@coilw.com