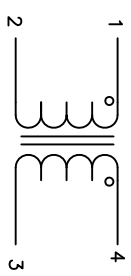


The information contained in this drawing is the sole property of Coil Winding Specialist Inc. (CWS). Any reproduction in part or whole without written permission of CWS is prohibited.



SCHEMATIC

- 7 BUILT TO ROHS COMPLIANCE AND LEAD FREE
- 6 LABEL PART NUMBER, REVISION AND DATE CODE.
- 5 WRAP CHOKE WITH GLASS TAPE
- 4 TIN LEADS 0.5 INCH MIN. AND FLUSH WITH THE COIL EDGE.

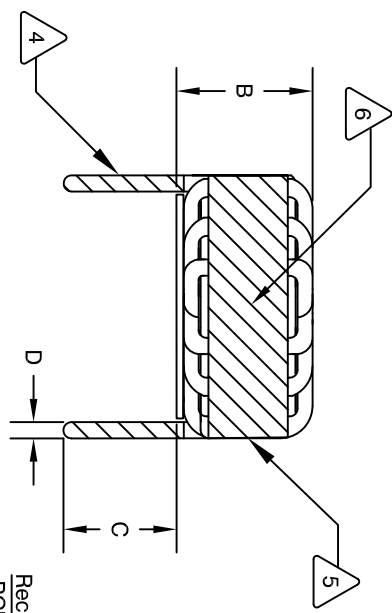
WEIGHT = 39 GRAMS TYP  
 OPERATING TEMP RANGE = -25°C TO 120°C  
 MAX TEMP RISE = 40°C WITH SOME AIR FLOW  
 INTERWINDING ISOLATION = 2500 VOLTS RMS, 3 mA, 2 sec.  
 RATED CURRENT = 4.5 AMPS  
 INSULATION RESISTANCE = 100 MEGA-OHMS MIN. @ 1000 VAC  
 RATED VOLTAGE = 1000 VAC  
 LEAKAGE INDUCTANCE = 38uH TYP @ 10KHz, 0.25Vrms  
 SRF = 135.75KHz TYPICAL  
 INTERWINDING CAPACITANCE = 28.65pF TYP @ SRF  
 IMPEDANCE = 24.15kΩ TYP @ SRF  
 DCR ON EACH WINDING = 35mΩ MAX.  
 L = 68mH TYP @ 1KHz, 250Vrms, 0 ADC  
 SPECIFICATIONS AT 25°C:

WIRE: UL RECOGNIZED 155°C RATED MAGNET WIRE  
 CWS BYTEMARK OR OTHER APPROVED PART  
 CORE: NANOCRYSTALLINE OR AMORPHOUS CORE

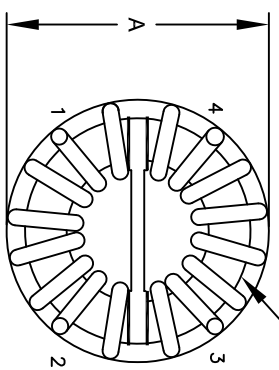
BOBBIN/CASE = UL CLASS B (130°)  
 1 MATERIAL: UL RECOGNIZED 94V-0 FOR FLAMMABILITY

ANY TOLERANCE. THIS DIM. CAN VARY A LITTLE FROM PART TO PART.  
 \*TYP IN DIM. TABLE REFERS TO A NON-CRITICAL TYPICAL (AVERAGE) DIM. WITHOUT NOTES. UNLESS OTHERWISE SPECIFIED, READ NOTES FROM BOTTOM UP.  
 CAGE CODE: 5DME2

DIMENSIONAL TOLERANCE INCHES [MM]					
A(OD) MAX	B(HGHT) MIN	C(LEAD) MIN	D(LEAD DIA) TYP	P1 REF	P2 REF
1.30 [33.00]	0.76 [19.30]	0.50 [12.7]	0.04 [1.02]	0.44 [11.20]	1.22 [31.00]



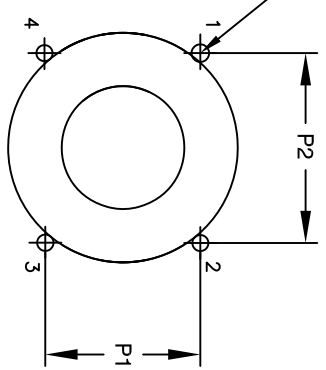
FRONT VIEW



BOTTOM VIEW

REVISION HISTORY			
REV	ECN	DESCRIPTION	DATE
A		PRODUCTION RELEASE	01/20/2021

Recommended  
 PCB hole (X4):  
 Ø0.055[1.40]



MOUNTING HOLES PATTERN

QTY	CODE IDENT	MFG. P/N	DESCRIPTION	ITEM NO.
1	X			

AUTOCAD SOLIDWORKS		SIGN		DATE	
DRWN	TN	01/20/2021			
CHKD	JM	01/20/2021			
ENGR	JL	01/20/2021			
APPR	JL	01/20/2021			

TITLE:	
Nanocrystalline Inductor Common Mode Chokes Horizontal Mount	

SIZE	DWG. NO.	REV
B	KN-H-683U-4.5A	A

PARTS LIST	
www.coilws.com	Coil Winding Specialist Inc.
sales@coilws.com	353 West Grove Ave Orange, California, 92865

SCALE	SHEET	OF
NOT TO SCALE	1	1