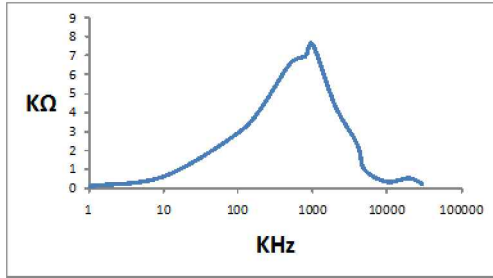


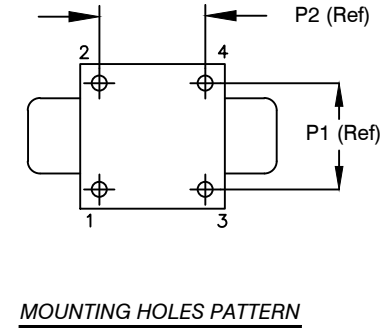
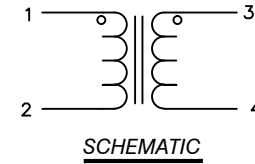
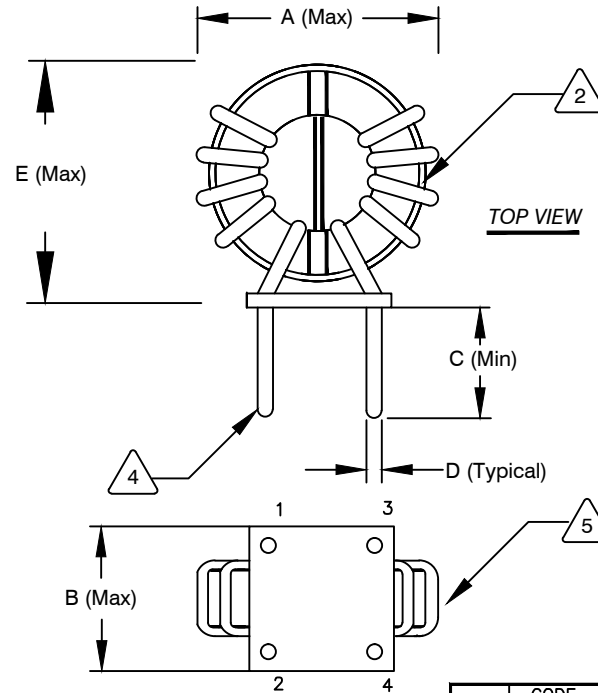
The information contained in this drawing is the sole property of Coil Winding Specialist Inc. (CWS) Any reproduction in part or whole without written permission of CWS is prohibited.

IMPEDANCE



DIMENSIONAL TOLERANCE INCHES [MM]						
A(OD) Max	B(WIDTH) Max	C(LEAD) Min	D(LEAD DIA) TYP	E (HGHT) Max	P1 Ref	P2 Ref
1.60 [40.7]	1.11 [28.3]	0.5 [12.7]	0.06 [1.45]	1.68 [42.9]	0.87 [22.2]	0.77 [19.7]

REVISION HISTORY							
REV	ECN	DESCRIPTION	SIGN & DATE				
			BY	DATE	CHK	DATE	
A	1	PRODUCTION RELEASE	KC	12/16/10	JLAU	12/16/10	



- 6 BUILT TO RoHS COMPLIANCE AND LEAD FREE.
- 5 MARK PART NUMBER AND REVISION.
- 4 TIN LEADS APPROX. 0.5 INCH AND FLUSH WITH THE COIL EDGE.

WEIGHT = 60 GRAMS
 OPERATING TEMP RANGE = -25 °C TO 120°C
 MAX TEMP RISE = 40 °C
 INTERWINDING ISOLATION = 2000 VOLTS RMS.
 DCR ON EACH WINDING = 11.1 mΩ MAX.
 SRF = 656 KHz
 RATED VOLTAGE = 250 VAC OR VDC
 RATED CURRENT = 12 AMPS
 LEAKAGE INDUCTANCE = 19.2 uH TYP @ 10KHz 1 Vrms.
 INTERWINDING CAPACITANCE = 6.3 pF TYP @ 100KHz.
 IMPEDANCE = 7.6 kΩ MIN. @ 1 MHz.
 L = 10 mH MIN. @ 1 KHz, 1 Vrms, 0 ADC
 INSULATION RESISTANCE = 100 MEGA-OHMS MIN. @ 500 VDC
 3 SPECIFICATIONS AT 25°C:

WIRE: UL RECOGNIZED 200°C RATED MAGNET WIRE
 CWS BYTEMARK OR OTHER APPROVED PART
 CORE: NANOCRYSTALLINE OR AMORPHOUS CORE

- BOBBIN RATING CLASS B (200°) REQUIRED
- 1 MATERIAL: UL RECOGNIZED 94V-0 FOR FLAMMABILITY

NOTES: UNLESS OTHERWISE SPECIFIED. READ NOTES FROM BOTTOM TO TOP.

QTY	CODE IDENT	MFG. P/N	DESCRIPTION	ITEM NO.
PARTS LIST				
AUTOCAD	X	www.coilws.com sales@coilws.com Coil Winding Specialist Inc. 353 West Grove Ave Orange, California. 92865		
SOLIDWORKS				
DRAWN	RLAU	12/16/10	TITLE: Nanocrystalline Inductor Common Mode Chokes Vertical Mount SIZE DWG. NO. KN-V-103U-12A REV A	
CHECKED	AK	12/16/10		
ENGR.	JLAU	12/16/10		
APPR.	JLAU	12/16/10		
UNLESS OTHERWISE SPECIFIED		SCALE 2=1 SHEET 1 OF 1		
DIMENSIONING AND TOLERANCE PER ANSI Y14.5M				
ALL DIMENSIONS ARE IN INCHES AND [MILLIMETERS].				
TOLERANCE INCHES: .XXX=±.005 .XX=±.015 $\angle = \pm 0^{\circ}30'$				
TOLERANCE METRICS: .XXX=±.127 .XX=±.38 $\angle = \pm 0^{\circ}30'$				
ANGLE PROJECTION				
DO NOT SCALE DRAWING				